

PARTS LIST

[XV-FA90BK/XV-FA92SL/XV-FA95GD]

* All printed circuit boards and its assemblies are not available as service parts.

Area Suffix (XV-FA90BK)

J ----- U.S.A.
C ----- Canada

Area Suffix (XV-FA92SL)

C ----- Canada

Area Suffix (XV-FA95GD)

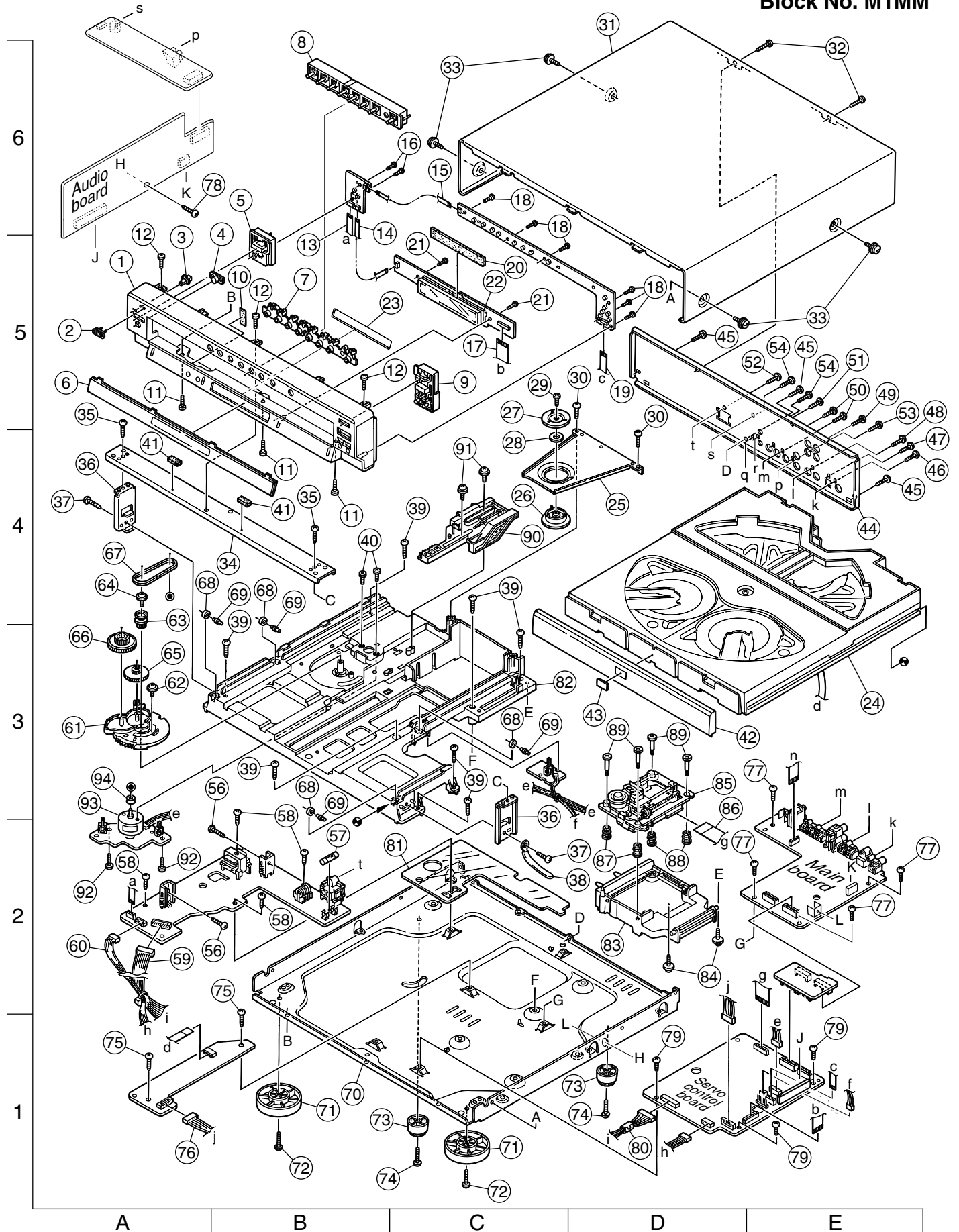
J ----- U.S.A.

- Contents -

Exploded view of general assembly and parts list	3-2
Tray mechanism assembly and parts list	3-6
Traverse mechanism assembly and parts list	3-8
Grease points	3-10
Electrical parts list	3-19
Packing materials and accessories parts list	3-30

Exploded view of general assembly and parts list

Block No. M1MM



■ Parts list (General assembly)

Block No. M1MM

△	Item	Parts number	Parts name	Q'ty	Description	Area
	1	LE10258-003A	FRONT PANEL	1		90C,90J
		LE10258-004A	FRONT PANEL	1		92C
		LE10258-005A	FRONT PANEL	1		95J
	2	VJD5429-001SS	JVC MARK	1		90C,90J,95J
		VJD5429-002SS	JVC MARK	1		92C
	3	LE30961-001A	INDICATOR	1	POWER	
	4	E408131-002	REMOTE LENS	1		90C,90J
		E408131-001	REMOTE LENS	1		92C,95J
	5	LE20600-001A	PUSH BUTTON	1	POWER	90C,90J
		LE20600-002A	PUSH BUTTON	1		92C
		LE20600-003A	PUSH BUTTON	1		95J
	6	LE20599-008A	WINDOW SCREEN	1		
	7	LE30962-002A	INDICATOR	1	DISC	
	8	LE20601-004A	PUSH BUTTON	1	DISC	90C,90J
		LE20601-005A	PUSH BUTTON	1		92C
		LE20601-006A	PUSH BUTTON	1		95J
	9	LE20602-001A	PUSH BUTTON	1	PLAY	90C,90J
		LE20602-002A	PUSH BUTTON	1		92C
		LE20602-003A	PUSH BUTTON	1		95J
	10	E306805-110	SPACER	1		
	11	QYSDSG3008M	SCREW	3	F.PANEL BOTOM	90C,90J
		QYSDSG3008N	T.SCREW	3		92C,95J
	12	QYSDSG3008M	SCREW	3	F.PANEL UP	90C,90J
		QYSDSG3008N	T.SCREW	3		92C,95J
	13	QUQ110-1124AJ	FFC WIRE	1	TO 10028-A1	
	14	QUQ110-0711BJ	FFC WIRE	1	TO 10029-A2	
	15	QUQ110-0410AJ	FFC WIRE	1	TO 10029-A2	
	16	QYSBSF2608Z	T.SCREW	2	POWER SW.CB.	
	17	QUQ105-4026AJ	FFC WIRE	1	TO 10038-A1	
	18	QYSBSF2608Z	T.SCREW	6	PLAY,DISC CB.	
	19	QUQ110-1320AJ	FFC WIRE(7954)	1	TO 10038-A1	
	20	E306805-014	FELT SPACER	1		
	21	QYSBSF2608Z	T.SCREW	2	FL.CB	
	22	LE30960-001A	FL HOLDER	1		
	23	LE40759-002A	FL SCREEN	1		
	24	-----	TRAY MECHANISM	1	See 3-6 page	
	25	LV32740-001A	CLAMPER BASE	1		
	26	LV32417-001A	CLAMPER	1		
	27	LV42089-001A	YOKE	1		
	28	LV41118-003A	MAGNET	1		
	29	LV41741-001A	SPECIAL SCREW	1		
	30	QYSBSF3008Z	SCREW	2	CLAMPER	
	31	LE20596-001A/S/	METAL COVER	1		90C,90J
		LE20596-002A/S/	METAL COVER	1		92C
		LE20596-003A/S/	METAL COVER	1		95J
	32	QYSBSGY3008E	SPECIAL SCREW	2	METAL COVER	
	33	E406308-003	SPECIAL SCREW	4	METAL COVER	90C,90J
		E406308-004	SPECIAL SCREW	4		92C,95J

Explanation of area column

90J =XV-FA90BK ver.J 90C =XV-FA90BK ver.C
 92C =XV-FA92SL ver.C 95J =XV-FA95GD ver.J

■ Parts list (General assembly)

Block No. M1MM

△	Item	Parts number	Parts name	Q'ty	Description	Area
	34	LE20598-001A	MECHA FRAME	1		
	35	QYSBSG3008Z	T.SCREW	2	MECHA FRAME	
	36	LE30959-002A	STAY BRACKET	2		
	37	QYSBSF3008Z	SCREW	2	STAY BKT	
	38	VKZ4001-110S	WIRE HOLDER	1		
	39	QYSBSG3008Z	T.SCREW	7	MECHA+CHASSIS	
	40	QYSDSP2604Z	SCREW	2	LOAD.MOTOR	
	41	LV30225-028A	SPACER	2		
	42	LE10259-002A	FITTING	1		90C,90J
		LE10259-006A	FITTING	1		92C
		LE10259-007A	FITTING	1		95J
	43	LV41565-002A	MARK	1		90C,90J,95J
		LV41565-001A	MARK	1		92C
	44	LE20597-006A	REAR PANEL	1		90C,90J
		LE20597-008A	REAR PANEL	1		92C
		LE20597-014A	REAR PANEL	1		95J
	45	QYSBSGY3008M	SPECIAL SCREW	3	REAR+CHASSIS	
	46	QYSBSGY3008M	SPECIAL SCREW	1	COAXIAL	
	47	QYSBSGY3008M	SPECIAL SCREW	1	OPTICAL	
	48	QYSBSGY3008M	SPECIAL SCREW	1	AUDIO OUT	
	49	QYSBSGY3008M	SPECIAL SCREW	1	S-VIDEO	
	50	QYSBSGY3008M	SPECIAL SCREW	2	VIDEO OUT	
	51	QYSBSGY3008M	SPECIAL SCREW	1	COMPU LINK	
	52	QYSBSGY3008M	SPECIAL SCREW	1	AC INLET	
	53	QYSBSGY3008M	SPECIAL SCREW	1	AUDIO OUT	
	54	QYSBSGY3008M	SPECIAL SCREW	2		
	56	QYSBSG3008Z	T.SCREW	2		
△	57	QMF51U1-1R6-J8	FUSE	1	J,C	
	58	QYSBSG3006E	T.SCREW	4	POWER CB.	
	59	QJJ015-133203	WIRE	1		
	60	QJA003-084403	SIN CR C-C WIRE	1		
	61	LV21034-001A	LOAD.BASE	1		
	62	E65923-003	TAPPING SCREW	1	LOAD BASE	
	63	LV32737-001A	L.PULLEY GEAR	1		
	64	E65923-003	TAPPING SCREW	1	L.PULLEY GEAR	
	65	LV32738-001A	LOAD.GEAR(1)	1		
	66	LV32739-001A	LOAD.GEAR(2)	1		
	67	LV42341-001A	LOAD.BELT	1		
	68	E407149-001SS	RUBBER TUBE	4		
	69	E407140-001SS	C.D ROLLER	4		
	70	LE10257-001A	CHASSIS BASE	1		
	71	LE30967-001A	FOOT	2	FRONT	90C,90J,95J
		LE30967-002A	FOOT	2		92C
	72	QYSBST3010Z	T.SCREW	2	FRONT FOOT	
	73	E47227-045	FOOT ASSY	2	REAR	
	74	QYSBST3010Z	T.SCREW	2	REAR FOOT	
	75	QYSBSG3006E	T.SCREW	2		
	76	QJA003-092204	SIN CR C-C WIRE	1		

Explanation of area column

90J =XV-FA90BK ver.J 90C =XV-FA90BK ver.C
 92C =XV-FA92SL ver.C 95J =XV-FA95GD ver.J

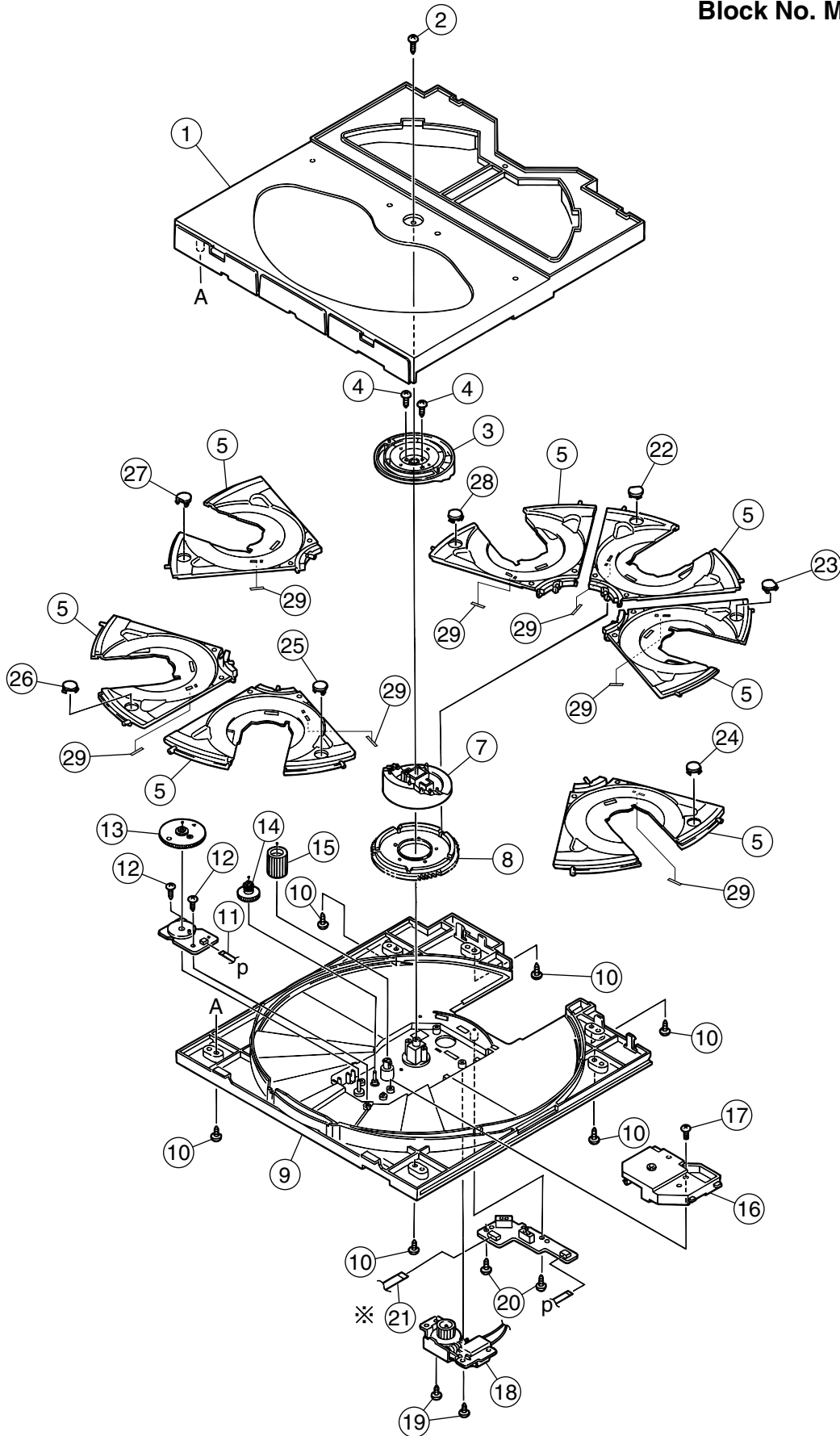
Parts list (General assembly)

Block No. M1MM

△	Item	Parts number	Parts name	Q'ty	Description	Area
	77	QYSBSG3006E	T.SCREW	4		
	78	QYSBSG3006E	T.SCREW	1		
	79	QYSBSG3006E	T.SCREW	3		
	80	QQR1267-001	FERRITE CORE	1		
	81	LE30966-001A	PROTECT SHEET	1		
	82	LV10529-001A	CHASSIS	1		
	83	LV21033-001A	TM U/D BASE	1		
	84	E65923-003	TAPPING SCREW	2	TM U/D BASE	
	85	-----	TRAVERSE MECHANISM	1	See 3-8 page	
	86	QUQ105-4018AJ	FFC WIRE	1	TO 10038-A1	
	87	LV41120-003A	INSULATOR	2	V8 FRONT(GREEN)	
	88	LV41120-004A	INSULATOR	2	V8 REAR(BLUE)	
	89	LV41119-001A	SPECIAL SCREW	4	INSULATOR	
	90	LV21035-001A	TM U/D CAM	1		
	91	E65923-003	TAPPING SCREW	2	TM U/D CAM	
	92	QYSBSF3008Z	SCREW	2	MOTOR PWB	
	93	RF-500TB-12560	MOTOR	1	FOR LOADING	
	94	LV42340-001A	MOTOR PULLEY	1		

Tray mechanism assembly and parts list

Block No. M2MM



※ : This FFC wire is the same as the wire "d" in the General assembly(page 3-2).

■ Parts list (Tray mechanism assembly)

Block No. M2MM

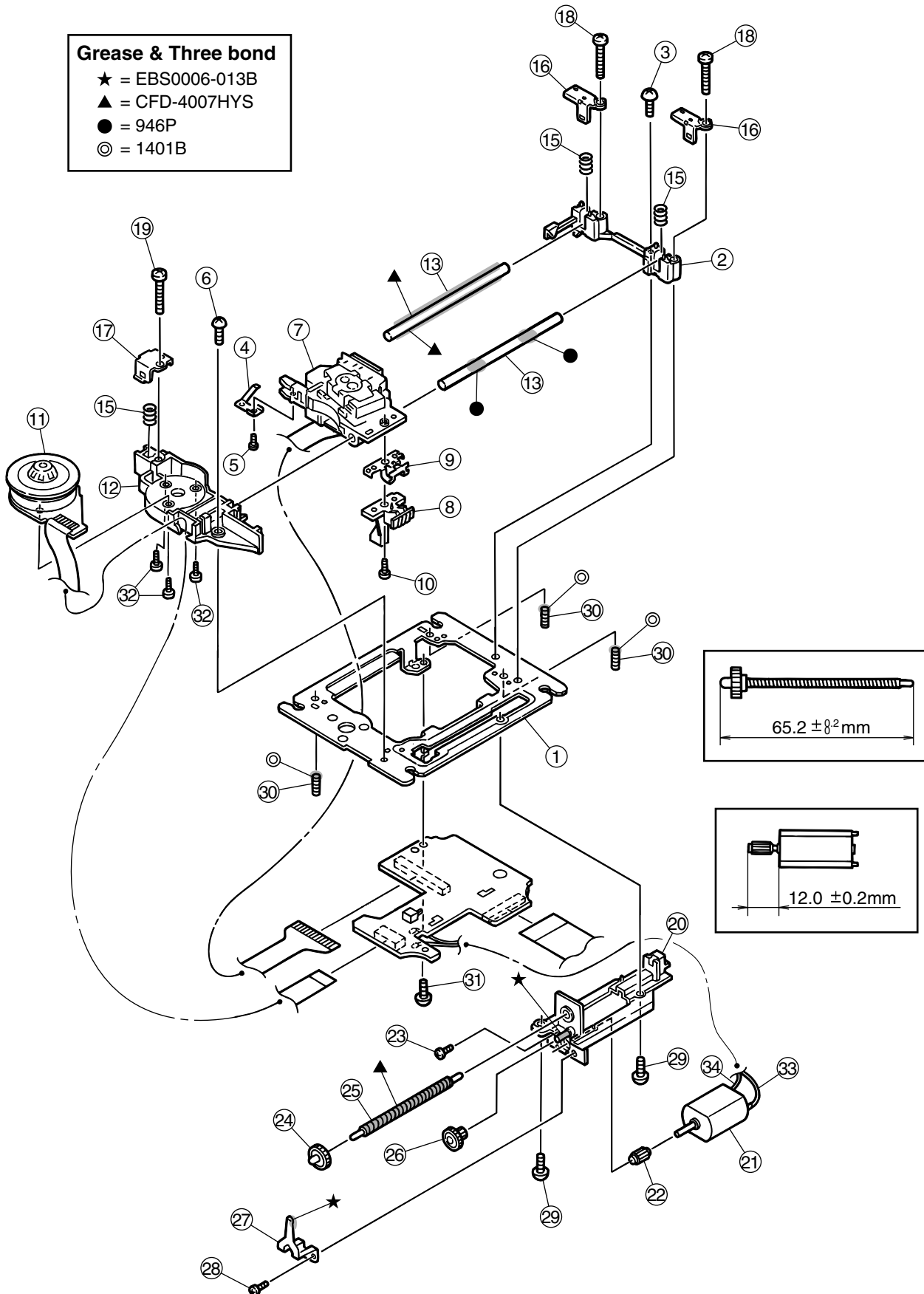
△	Item	Parts number	Parts name	Q'ty	Description	Area
	1	LV10532-001A	MAIN TRAY COVER	1		
	2	QYSBSF3008Z	SCREW	1		
	3	LV21037-001A	U/D CAM(U)	1		
	4	QYSBSF3008Z	SCREW	2		
	5	LV10531-001A	SUB TRAY	7		
	7	LV21036-001A	U/D CAM(L)	1		
	8	LV32741-001A	ACT.GEAR(1)	1		
	9	LV10530-001A	MAIN TRAY	1		
	10	QYSBSF3008Z	SCREW	6		
	11	QUQ110-0422BJ	FFC WIRE	1		
	12	QYSBSF3006M	SCREW	2		
	13	LV32743-001A	CAM GEAR(2)	1		
	14	LV32742-001A	CAM GEAR(1)	1		
	15	LV42343-001A	ACT.GEAR(2)	1		
	16	LV32744-001A	GEAR COVER	1		
	17	QYSBSF3006M	SCREW	1		
	18	M.BASE-L71-1M	MOTOR BASE UNIT	1		
	19	QYSBSF3008Z	SCREW	2		
	20	QYSBSF3008Z	SCREW	2		
	21	QUQ110-0922AJ	FFC WIRE	1		
	22	LV32750-001A1	NUMBER PLATE 1	1		
	23	LV32750-001A2	NUMBER PLATE 7	1		
	24	LV32750-001A3	NUMBER PLATE 6	1		
	25	LV32750-001A4	NUMBER PLATE 5	1		
	26	LV32750-001A5	NUMBER PLATE 4	1		
	27	LV32750-001A6	NUMBER PLATE 3	1		
	28	LV32750-001A7	NUMBER PLATE 2	1		
	29	LV42342-001A	REFLECTOR	7		

Traverse mechanism assembly and parts list

Block No. M3MM

Grease & Three bond

- ★ = EBS0006-013B
- ▲ = CFD-4007HYS
- = 946P
- ◎ = 1401B



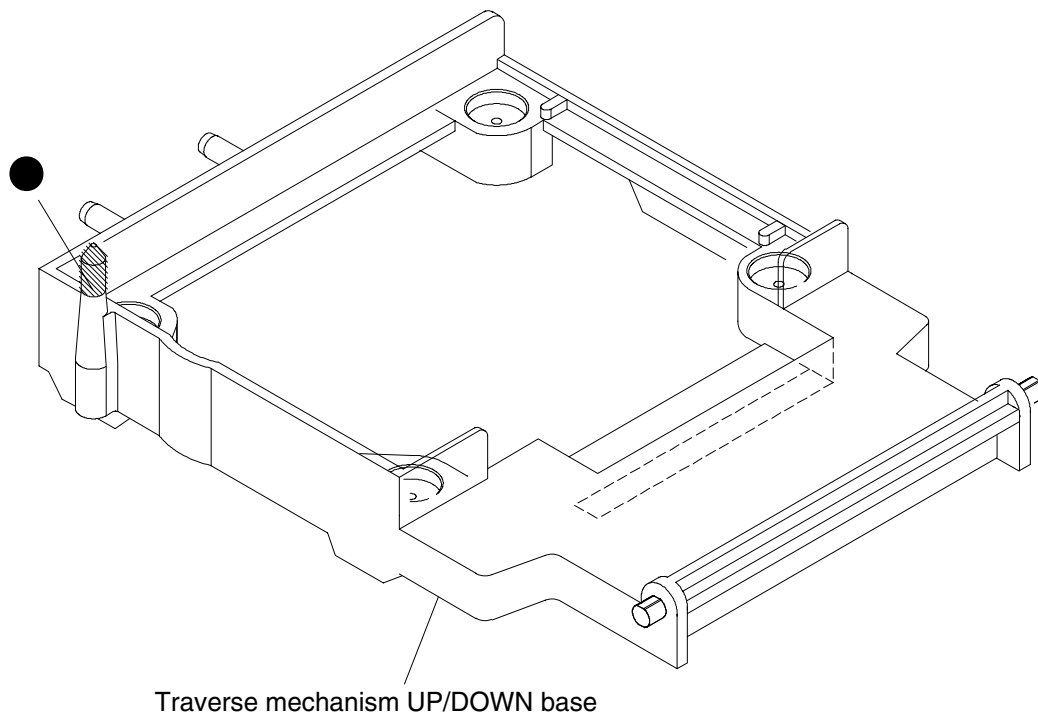
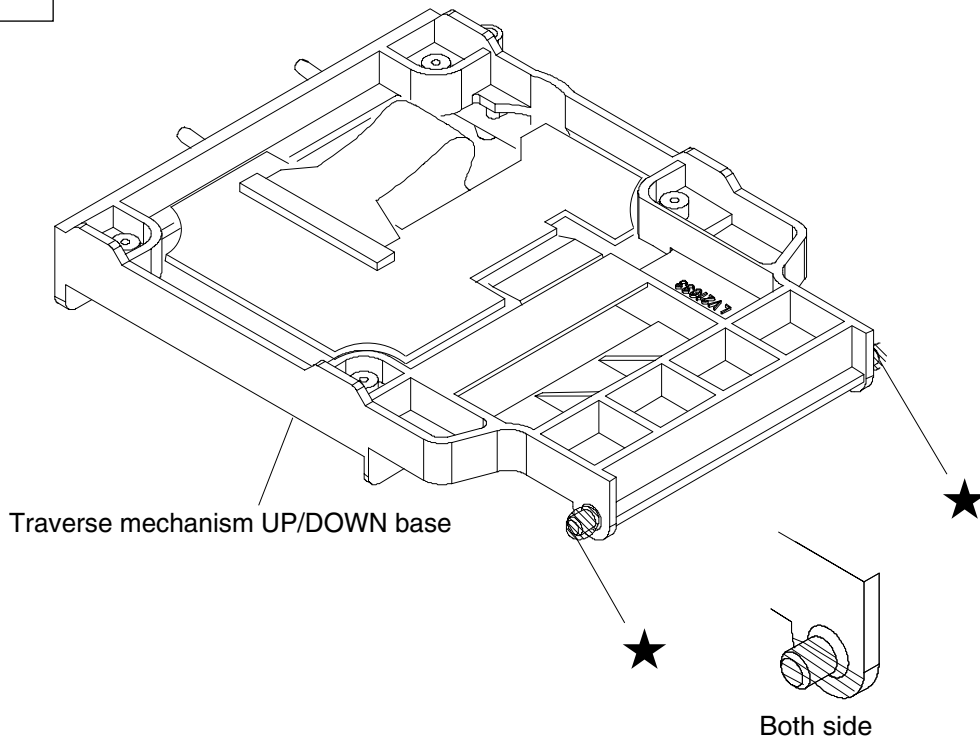
Parts list (Traverse mechanism assembly)

Block No. M3MM

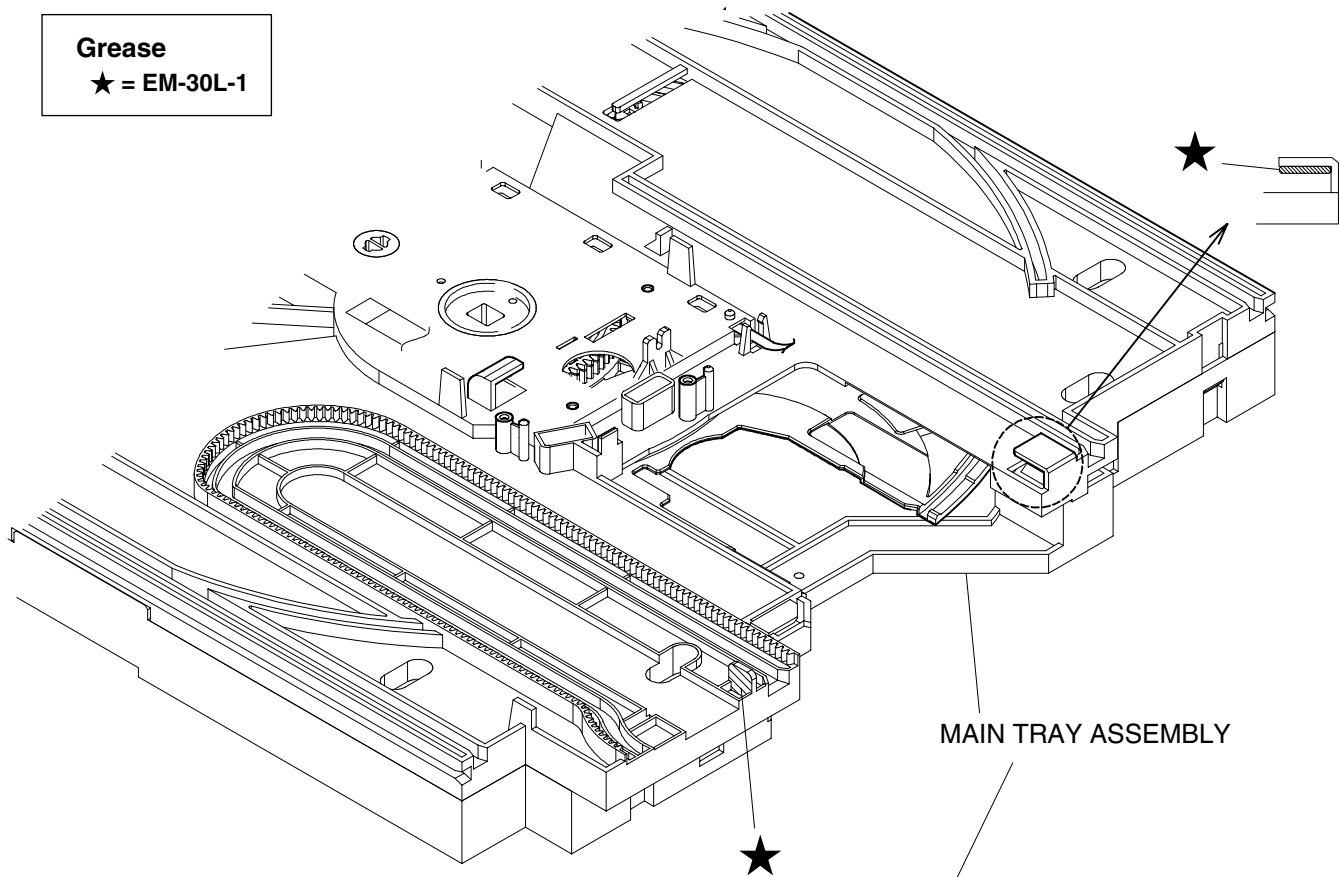
▲	Item	Parts number	Parts name	Q'ty	Description	Area
	1	LE20572-001A	MECHA BASE	1		
	2	LV20635-001A	SHAFT HOLDER	1		
	3	QYSBST2606M	T.SCREW	1		
	4	LV31743-002A	P.U. SPRING	1		
	5	QYSPSGT1416M	MINI SCREW	1		
	6	QYSBST2606M	T.SCREW	1		
	7	OPTIMA-2010B1	DVD PICK UP	1		
	8	LV31670-001A	SWITCH ACTUATOR	1		
	9	LV31666-002A	LEAD SPRING	1		
	10	QYSPSGT2040M	SCREW	1		
	11	QAR0180-001	SPINDLE MOTOR	1		
	12	LE20573-001A	SPINDLE BASE	1		
	13	LV41121-002A	SHAFT	2		
	15	LV41732-001A	SKEW SPRING	3		
	16	LV31669-001A	SHAFT STOPPER R	2		
	17	LV31668-001A	SHAFT STOPPER F	1		
	18	QYSPST2614M	SCREW	2		
	19	QYSPST2614M	SCREW	1		
	20	LV31746-004A	FEED HOLDER ASSY	1		
	21	QAR0165-001	FEED MOTOR	1		
	22	LV41510-201A	FEED GEAR T	1		
	23	QYSPSPU2040M	SCREW	1		
	24	LV41512-201A	FEED GEAR E	1		
	25	LV41517-001A	LEAD SCREW	1		
	26	LV41511-202A	FEED GEAR M	1		
	27	LV31667-001A	THRUST SPRING	1		
	28	QYSPSPU2040M	SCREW	1		
	29	QYSBST2606M	T.SCREW	2		
	30	QYYASPF2608N	HEX SCREW	3		
	31	QYSBST2606M	T.SCREW	1		
	32	QYSPSPU1740Z	SCREW	3		
	33	QUB543-05A1A1	SIN TWIST WIRE	1		
	34	QUB544-04A1A1	SIN TWIST WIRE	1		

Grease points

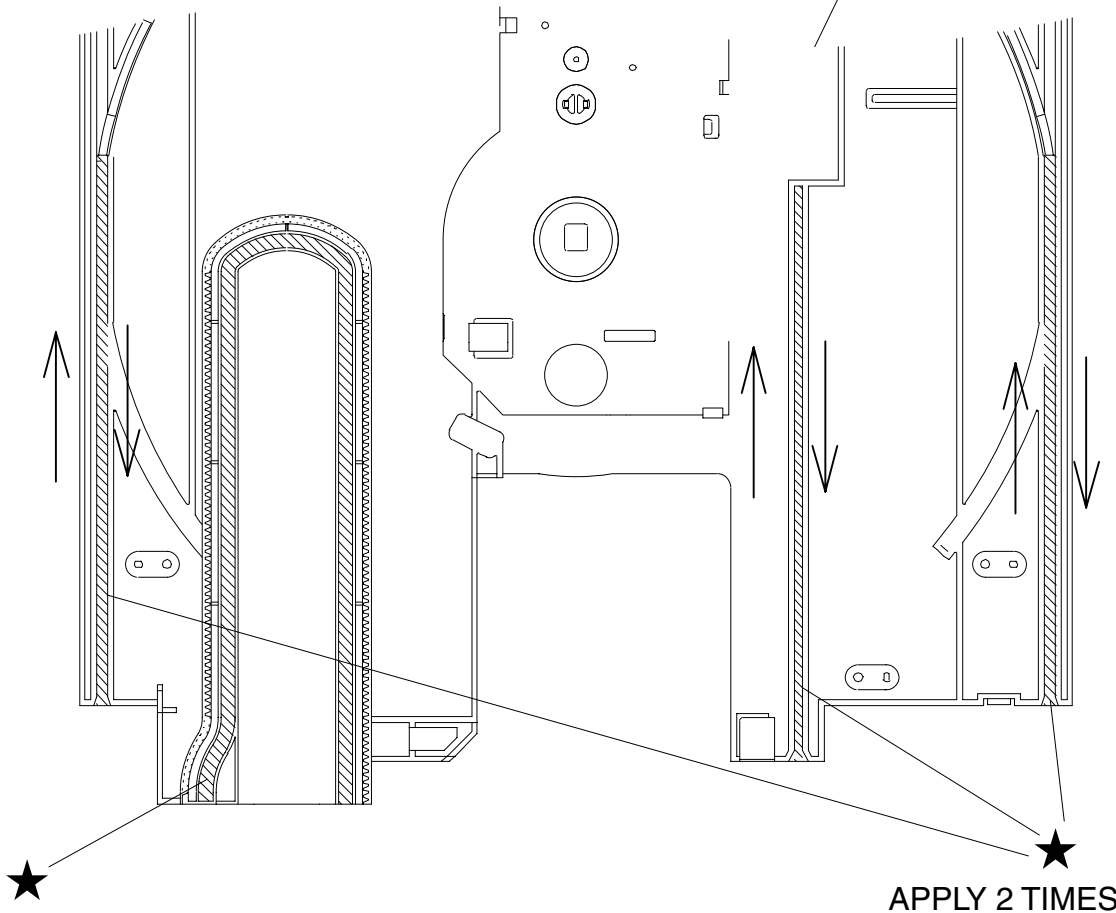
Grease
★ = EM-30L-1
● = FL-7750



Grease
★ = EM-30L-1



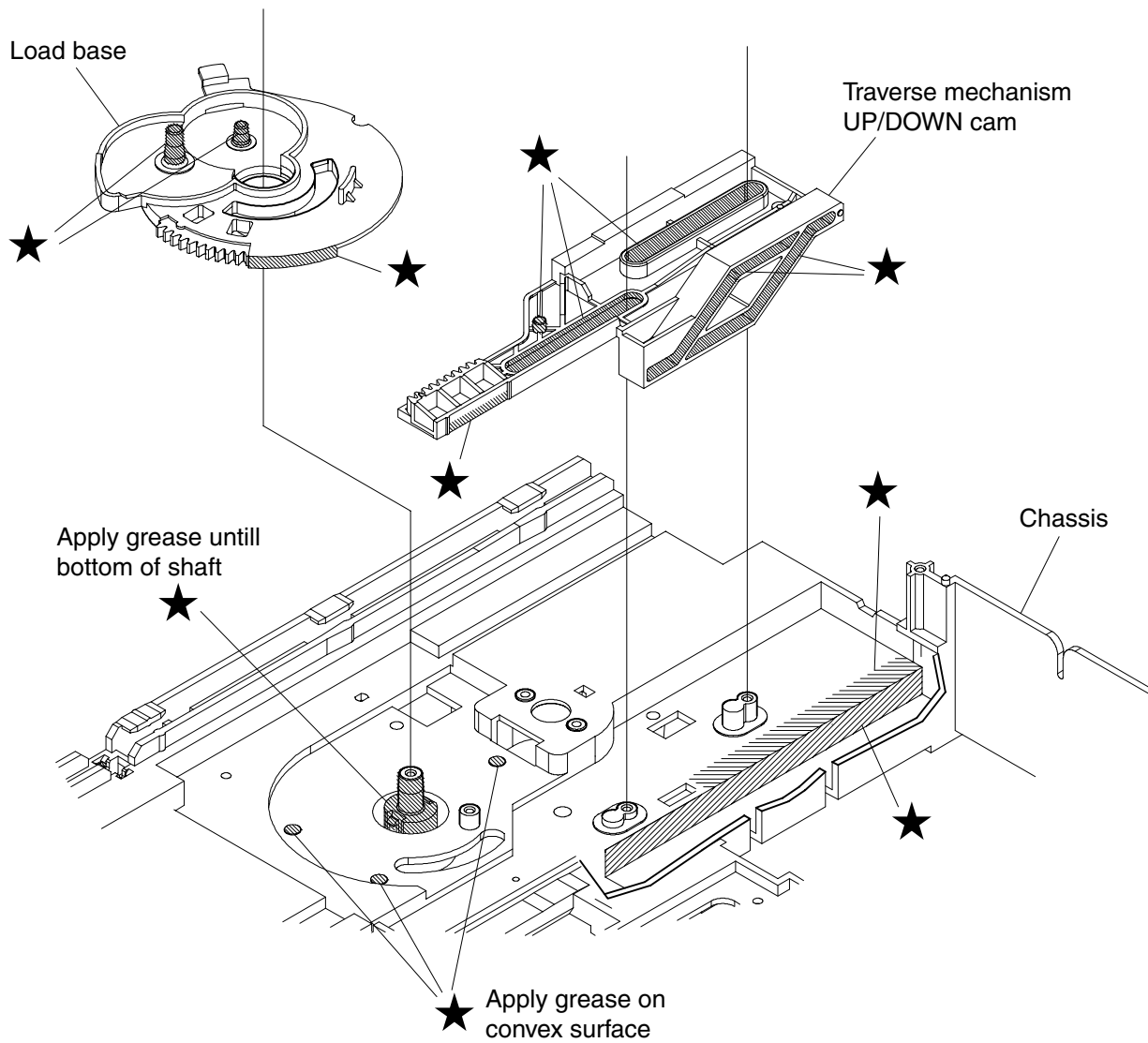
MAIN TRAY ASSEMBLY



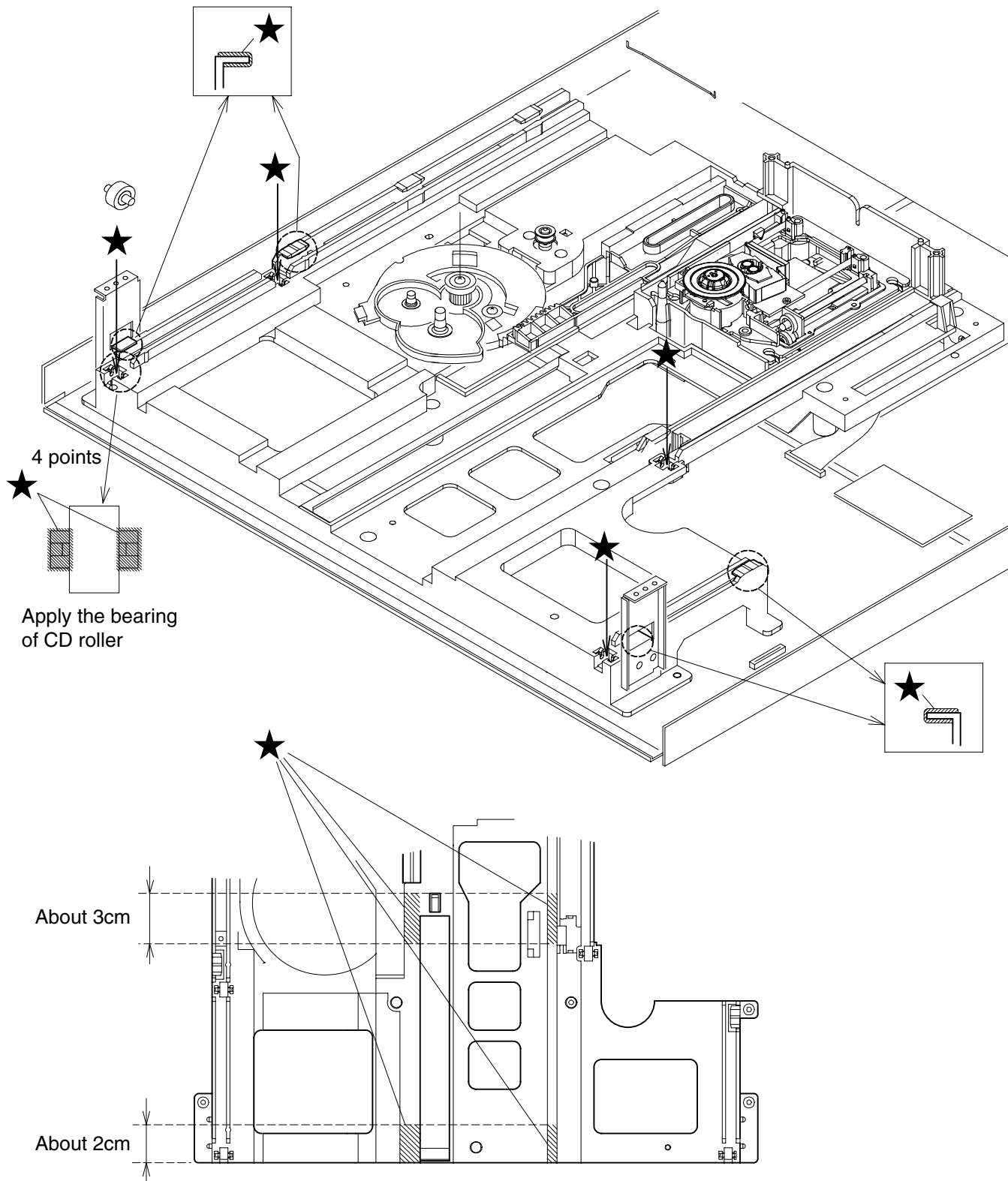
APPLY 2 TIMES

Grease

★ = EM-30L-1

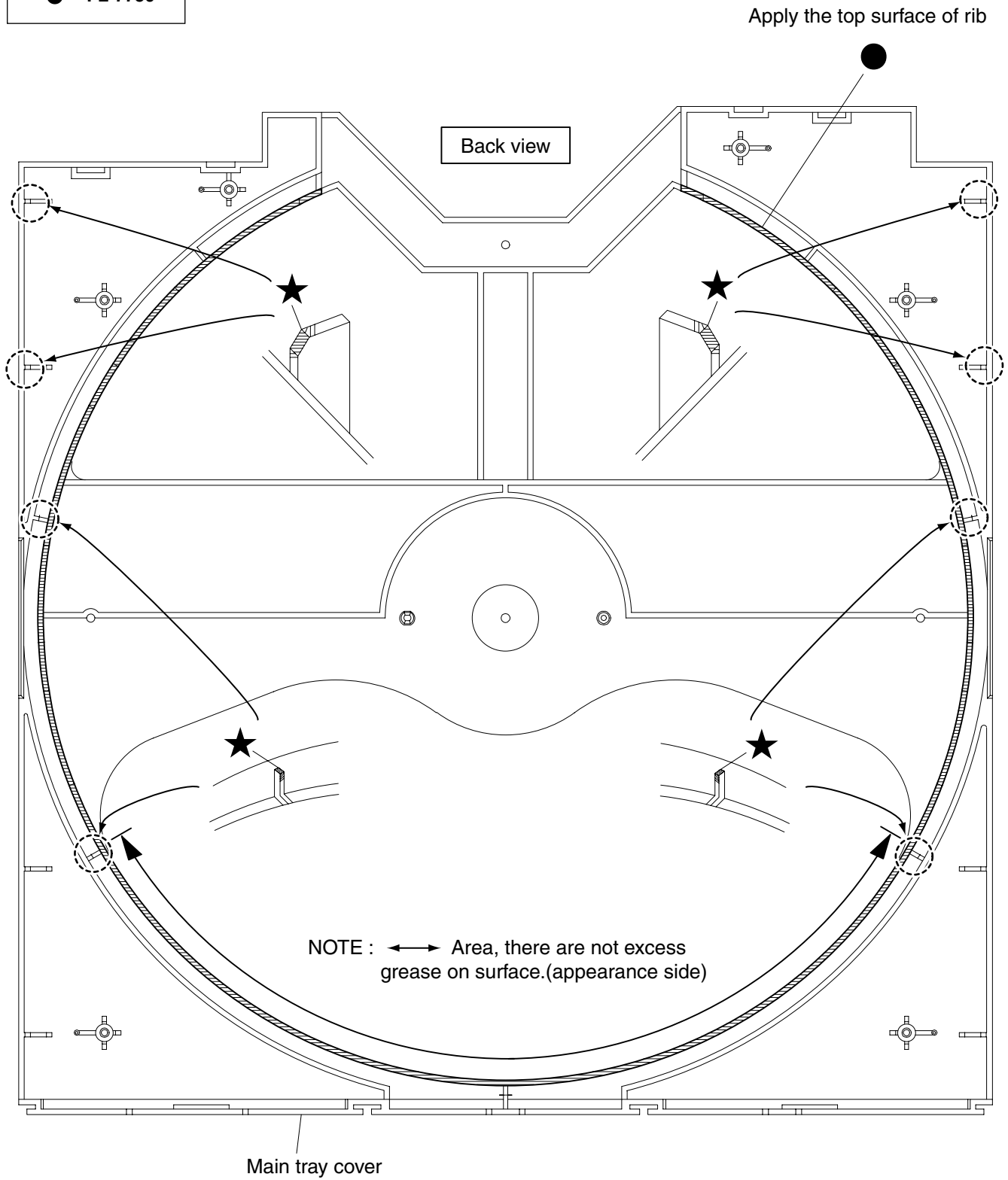


Grease
★ = EM-30L-1



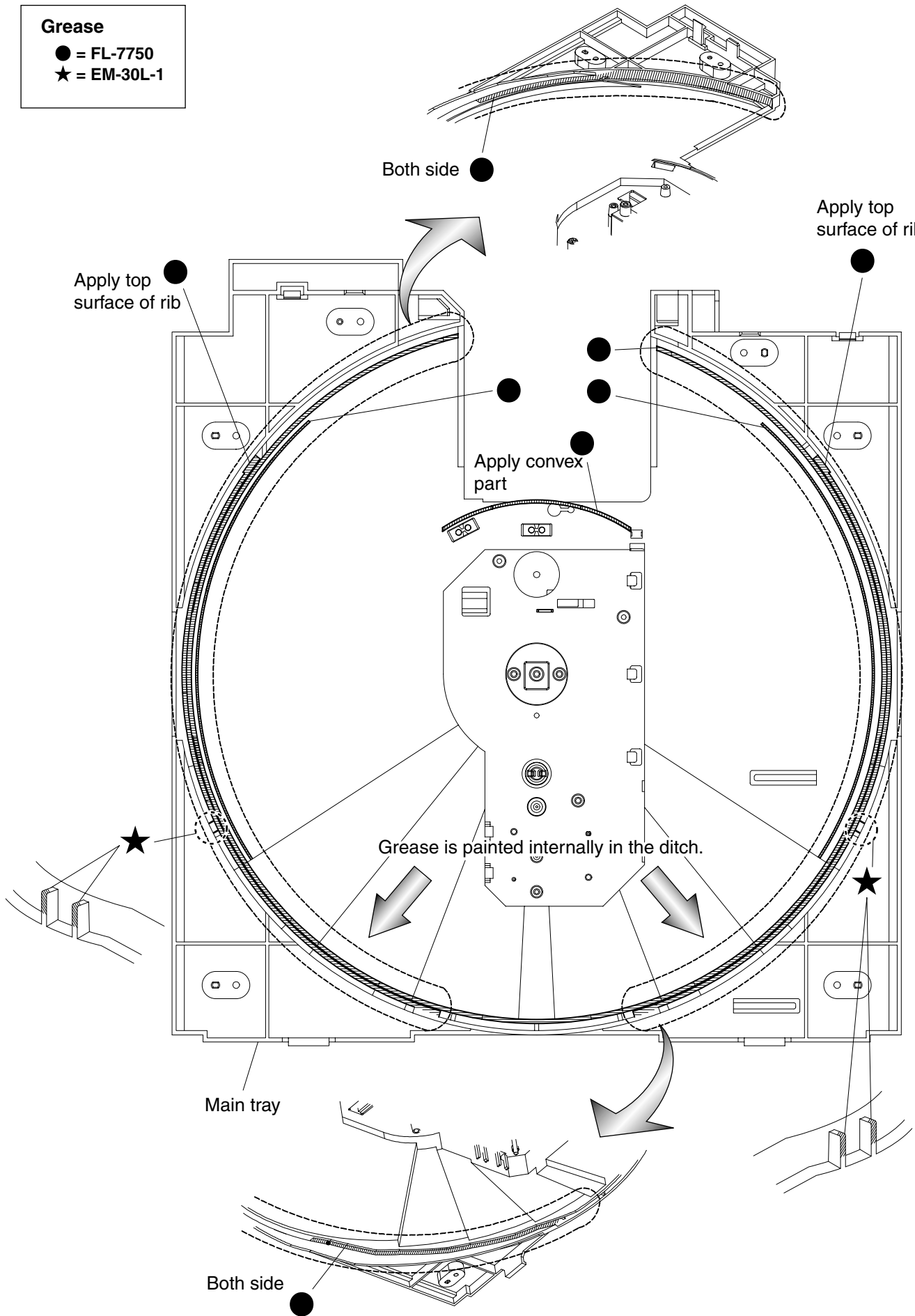
Grease

- ★ = EM-30L-1
- = FL-7750



Grease

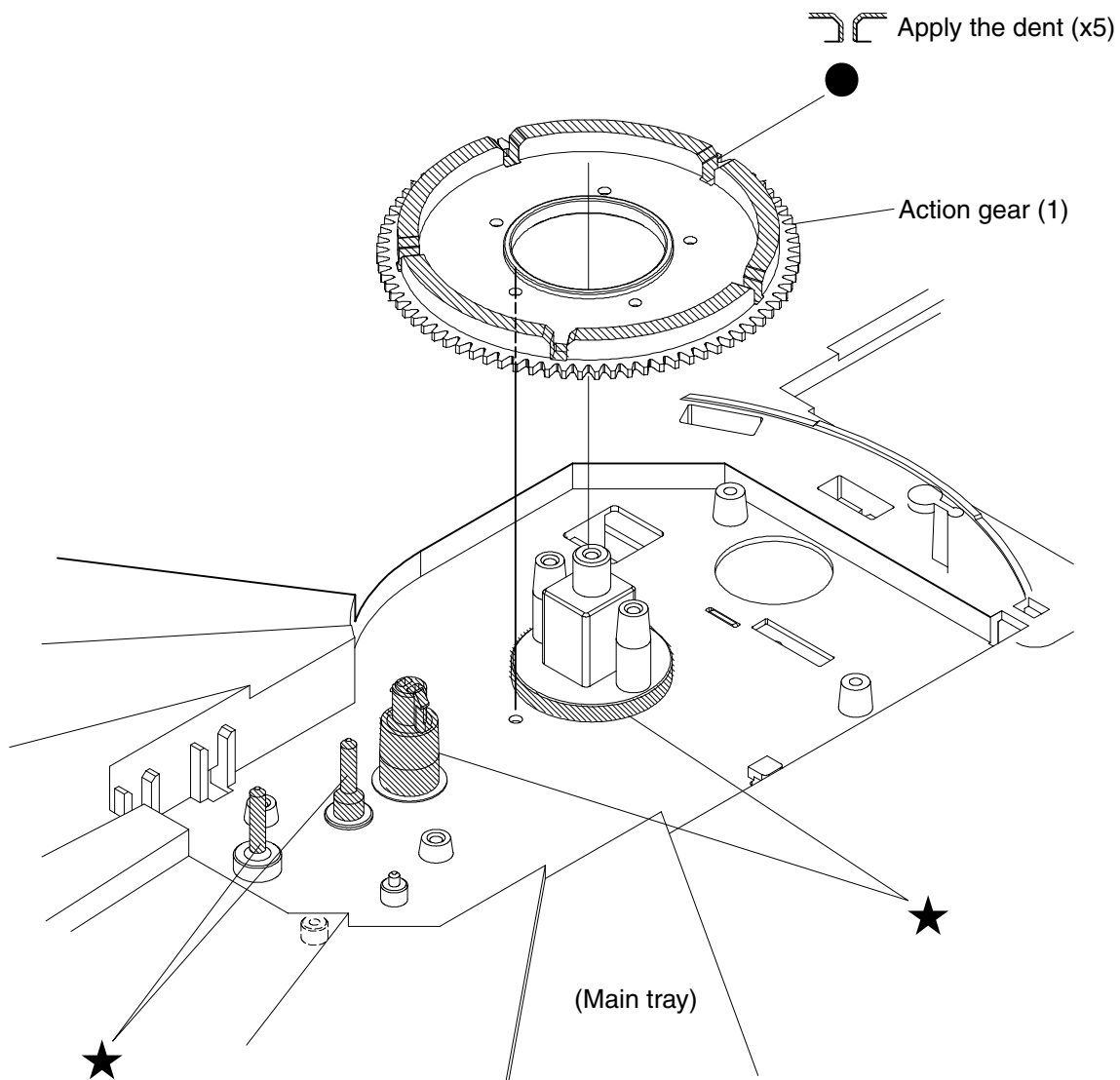
- = FL-7750
- ★ = EM-30L-1



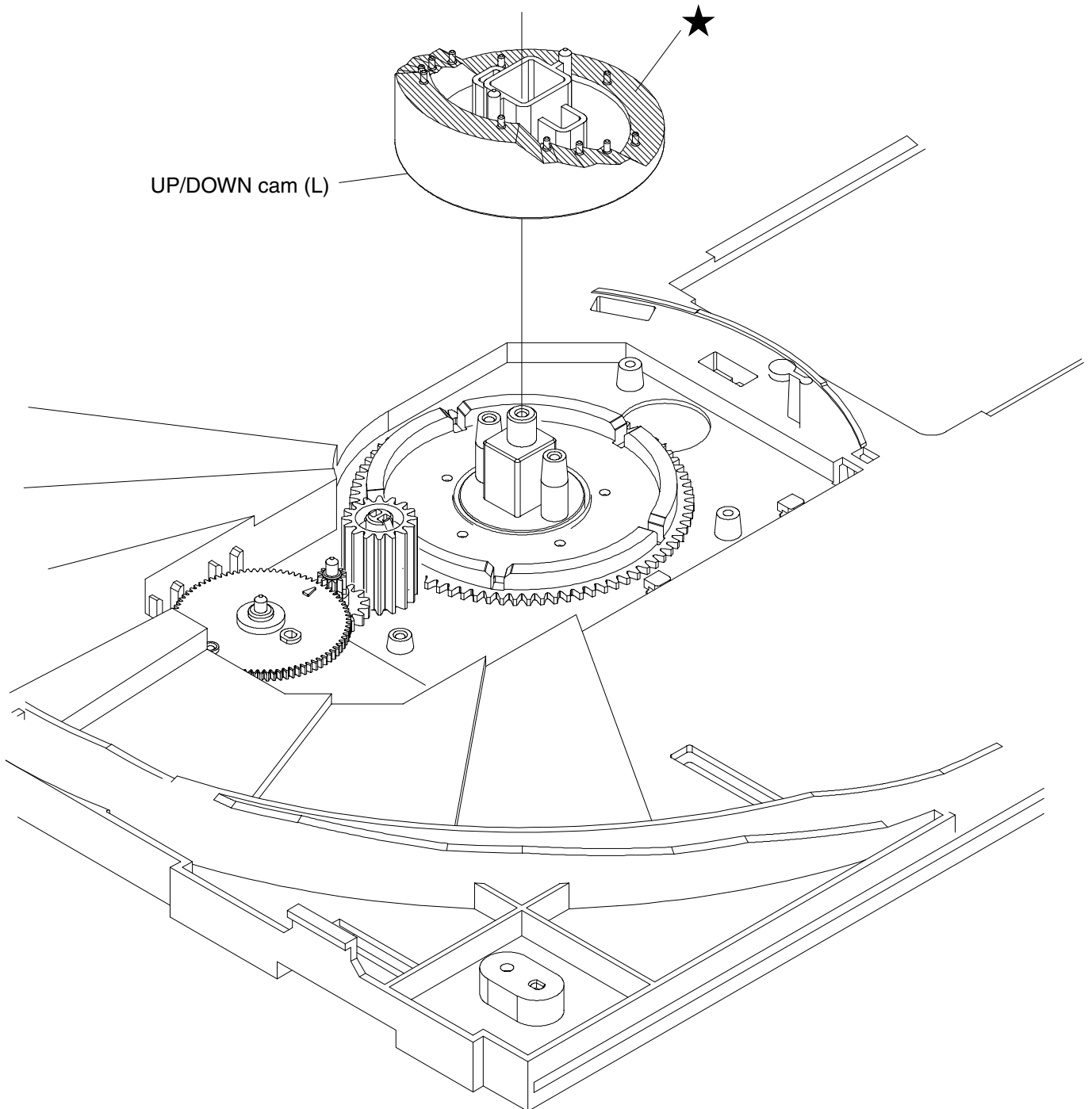
Grease

★ = EM-30L-1

● = FL-7750

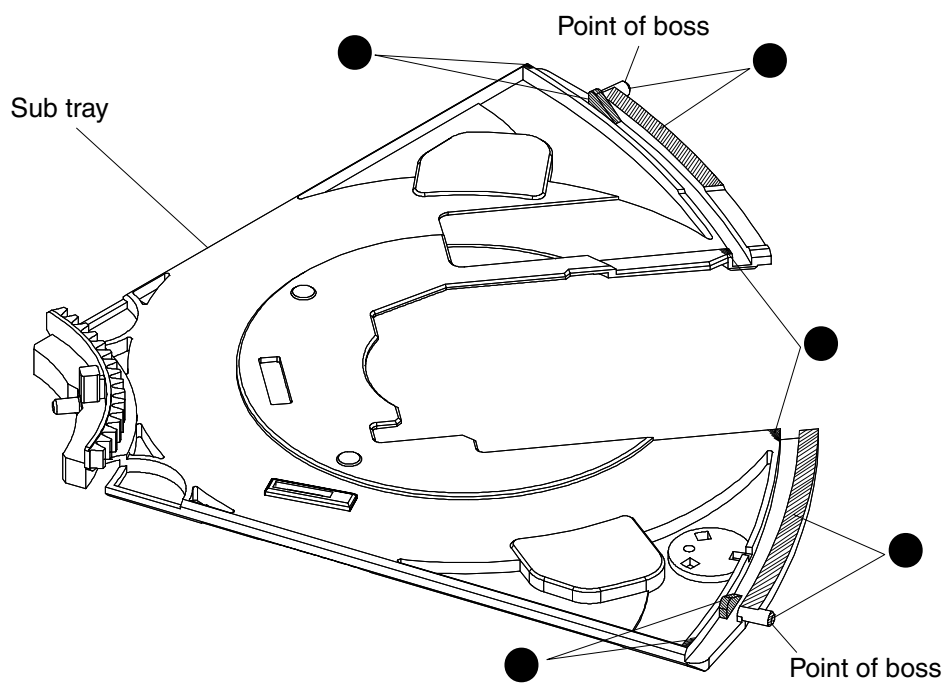
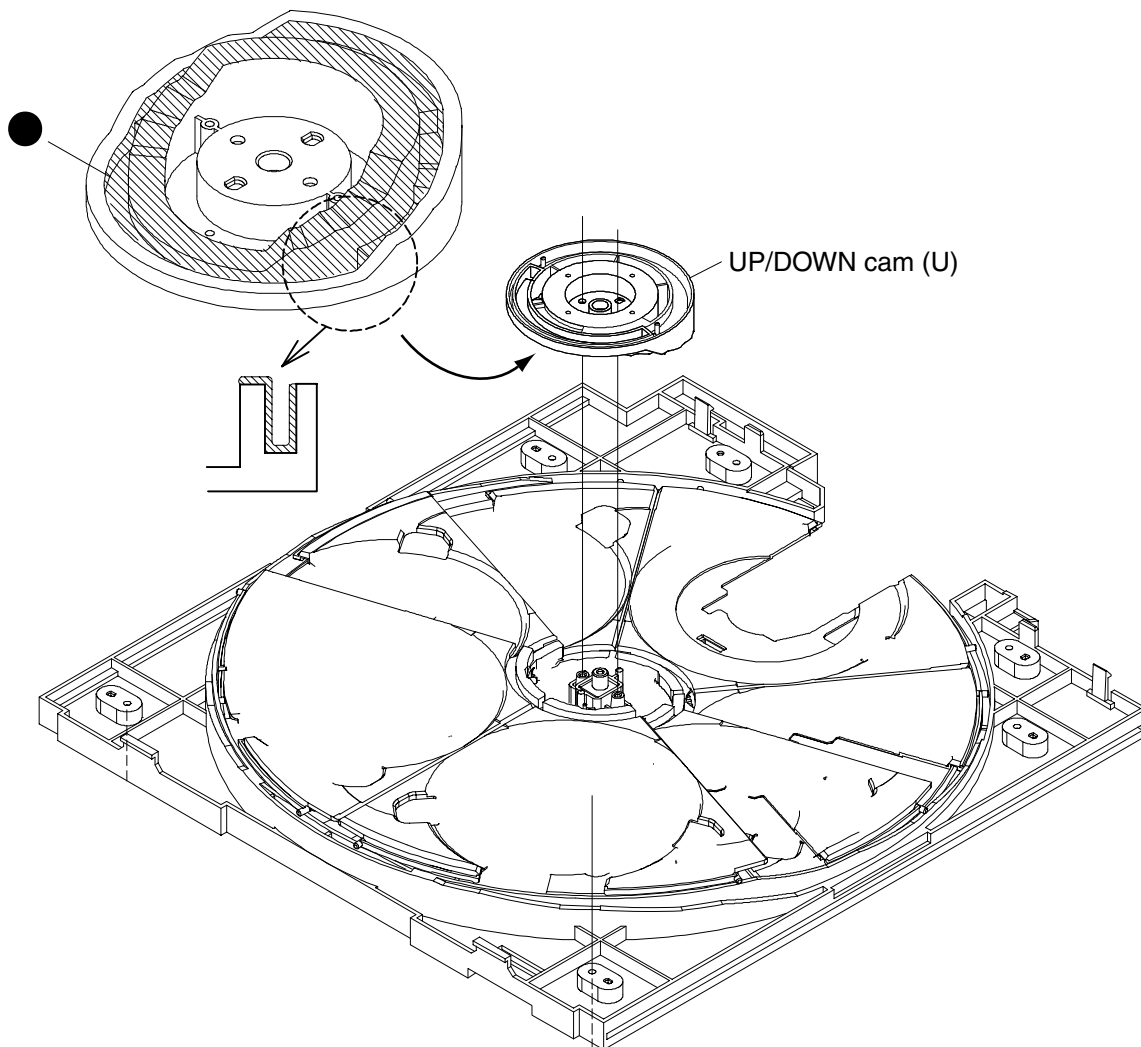


Grease
★ = EM-30L-1



Grease

● = FL-7750



■ Electrical parts list (Servo control board)

Block No. 01

△	Item	Parts number	Parts name	Remarks	Area
	C 201	NCB30JK-474X	C CAPACITOR		
	C 204	NCB31HK-331X	C CAPACITOR		
	C 205	NCB31HJ-121X	C CAPACITOR		
	C 206	NCB31HJ-271X	C CAPACITOR		
	C 207	NCB31HK-471X	C CAPACITOR		
	C 208	NCB31CK-104X	C CAPACITOR		
	C 209	NCB31HK-102X	C CAPACITOR		
	C 210	NCB31HK-102X	C CAPACITOR		
	C 213	NCB31CK-104X	C CAPACITOR		
	C 214	NCB31CK-104X	C CAPACITOR		
	C 215	NEA70JM-336X	E CAPACITOR		
	C 216	NCB30JK-105X	C CAPACITOR		
	C 217	NEA70JM-107X	E.CAPACITOR		
	C 218	NCB31CK-104X	C CAPACITOR		
	C 219	NEA70JM-107X	E.CAPACITOR		
	C 220	NCB30JK-105X	C CAPACITOR		
	C 221	NCB31HK-561X	C CAPACITOR		
	C 222	NCB31CK-104X	C CAPACITOR		
	C 223	NCB31CK-104X	C CAPACITOR		
	C 224	NCB31CK-104X	C CAPACITOR		
	C 225	NBE91CM-105X	E CAPACITOR	TANTAL	
	C 227	NCB31HK-102X	C CAPACITOR		
	C 228	NCB31HK-102X	C CAPACITOR		
	C 229	NCB31CK-104X	C CAPACITOR		
	C 231	NCB31EK-103X	C.CAPA. C.M		
	C 232	NCB31HK-102X	C CAPACITOR		
	C 233	NCB31CK-104X	C CAPACITOR		
	C 237	NCB31CK-104X	C CAPACITOR		
	C 238	NCB31CK-104X	C CAPACITOR		
	C 239	NCB31CK-183X	C CAPACITOR		
	C 240	NCB31HJ-101X	C.CAPA. C.M		
	C 241	NCB31CK-103X	C CAPACITOR		
	C 242	NCB30JK-105X	C CAPACITOR		
	C 244	NCB31CK-104X	C CAPACITOR		
	C 245	NCB31CK-103X	C CAPACITOR		
	C 246	NCB31CK-104X	C CAPACITOR		
	C 247	NCB31CK-104X	C CAPACITOR		
	C 251	NCB31CK-104X	C CAPACITOR		
	C 252	NEA70JM-226X	E CAPACITOR		
	C 301	NCB31CK-104X	C CAPACITOR		
	C 302	NCB31CK-104X	C CAPACITOR		
	C 303	NCB31CK-104X	C CAPACITOR		
	C 304	NCB31CK-104X	C CAPACITOR		
	C 305	NCB31CK-104X	C CAPACITOR		
	C 306	NCB31CK-104X	C CAPACITOR		
	C 307	NCB31CK-104X	C CAPACITOR		
	C 309	NCB31CK-104X	C CAPACITOR		
	C 310	NCB31CK-104X	C CAPACITOR		
	C 311	NCB31CK-104X	C CAPACITOR		
	C 314	NCB31CK-104X	C CAPACITOR		
	C 315	NCB31CK-104X	C CAPACITOR		
	C 316	NEA70GM-107X	E CAPACITOR		
	C 317	NCB30JK-105X	C CAPACITOR		
	C 318	NCB31CK-104X	C CAPACITOR		
	C 319	NCB31CK-104X	C CAPACITOR		
	C 320	NCB31CK-104X	C CAPACITOR		
	C 321	NCB31CK-104X	C CAPACITOR		
	C 324	NCB31CK-104X	C CAPACITOR		
	C 326	NCB31CK-104X	C CAPACITOR		
	C 327	NEA70GM-107X	E CAPACITOR		
	C 401	NCB31CK-104X	C CAPACITOR		
	C 402	NCB31CK-104X	C CAPACITOR		
	C 405	NCB31CK-104X	C CAPACITOR		
	C 406	NCB31CK-104X	C CAPACITOR		
	C 407	NCB31CK-104X	C CAPACITOR		
	C 408	NEA70JM-226X	E CAPACITOR		

△	Item	Parts number	Parts name	Remarks	Area
	C 409	NCB31CK-104X	C CAPACITOR		
	C 412	NCB31CK-104X	C CAPACITOR		
	C 451	NCB31CK-104X	C CAPACITOR		
	C 452	NEA71CM-476X	E CAPACITOR		
	C 453	NCB31CK-104X	C CAPACITOR		
	C 454	NEA71CM-476X	E CAPACITOR		
	C 455	NEA71HM-105X	E.CAPA. C.M.		
	C 501	NCB31CK-104X	C CAPACITOR		
	C 502	NCB31CK-104X	C CAPACITOR		
	C 503	NCB31CK-104X	C CAPACITOR		
	C 509	NCB31CK-104X	C CAPACITOR		
	C 510	NCB31CK-104X	C CAPACITOR		
	C 511	NEA70JM-226X	E CAPACITOR		
	C 512	NCB31CK-104X	C CAPACITOR		
	C 513	NCB31CK-104X	C CAPACITOR		
	C 514	NCB31CK-104X	C CAPACITOR		
	C 515	NCB31CK-104X	C CAPACITOR		
	C 516	NCB31CK-104X	C CAPACITOR		
	C 517	NCB31CK-104X	C CAPACITOR		
	C 518	NCB31CK-104X	C CAPACITOR		
	C 519	NCB31CK-104X	C CAPACITOR		
	C 520	NCB31CK-104X	C CAPACITOR		
	C 523	NCB31CK-104X	C CAPACITOR		
	C 524	NEA70JM-226X	E CAPACITOR		
	C 525	NCB31CK-104X	C CAPACITOR		
	C 526	NCB31CK-104X	C CAPACITOR		
	C 527	NEA70JM-107X	E.CAPACITOR		
	C 528	NCB31CK-104X	C CAPACITOR		
	C 529	NCB31CK-104X	C CAPACITOR		
	C 531	NCB31CK-104X	C CAPACITOR		
	C 532	NCB31CK-104X	C CAPACITOR		
	C 533	NCB31CK-104X	C CAPACITOR		
	C 534	NCB31CK-104X	C CAPACITOR		
	C 535	NCB31CK-104X	C CAPACITOR		
	C 536	NCB31CK-104X	C CAPACITOR		
	C 539	NCB31CK-104X	C CAPACITOR		
	C 540	NCB31CK-104X	C CAPACITOR		
	C 541	NCB31CK-104X	C CAPACITOR		
	C 542	NCB31CK-104X	C CAPACITOR		
	C 543	NCB31CK-104X	C CAPACITOR		
	C 544	NCB31CK-104X	C CAPACITOR		
	C 545	NCB31CK-104X	C CAPACITOR		
	C 547	NCB31CK-104X	C CAPACITOR		
	C 548	NCB31CK-104X	C CAPACITOR		
	C 549	NEA70JM-227X	E CAPACITOR		
	C 550	NCB31EK-104X	C CAPACITOR		
	C 551	NEA70JM-227X	E CAPACITOR		
	C 554	NCB31CK-104X	C CAPACITOR		
	C 555	NCB31CK-104X	C CAPACITOR		
	C 556	NCB30JK-105X	C CAPACITOR		
	C 557	NCB31CK-104X	C CAPACITOR		
	C 562	NCB31CK-104X	C CAPACITOR		
	C 564	NEA70JM-226X	E CAPACITOR		
	C 565	NEA70JM-226X	E CAPACITOR		
	C 568	NEA70JM-226X	E CAPACITOR		
	C 569	NCB31CK-104X	C CAPACITOR		
	C 570	NCB31CK-104X	C CAPACITOR		
	C 571	NEA70JM-226X	E CAPACITOR		
	C 572	NCB31CK-104X	C CAPACITOR		
	C 573	NEA70JM-227X	E CAPACITOR		
	C 574	NCB31CK-104X	C CAPACITOR		
	C 578	NCB31CK-104X	C CAPACITOR		
	C 580	NEA70JM-226X	E CAPACITOR		
	C 581	NEX50GM-107X	E CAPACITOR.		
	C 582	NEA70JM-226X	E CAPACITOR		
	C 585	NCB31CK-104X	C CAPACITOR		

■ Electrical parts list (Servo control board)

Block No. 01

△	Item	Parts number	Parts name	Remarks	Area
	C 586	NCB31CK-104X	C CAPACITOR		
	C 587	NCB31CK-104X	C CAPACITOR		
	C 588	NCB31CK-104X	C CAPACITOR		
	C 589	NCB31CK-104X	C CAPACITOR		
	C 590	NCB31CK-104X	C CAPACITOR		
	C 591	NCB31CK-104X	C CAPACITOR		
	C 592	NCB31CK-104X	C CAPACITOR		
	C 593	NCB31CK-104X	C CAPACITOR		
	C 594	NCB31CK-104X	C CAPACITOR		
	C 595	NCB31CK-104X	C CAPACITOR		
	C 596	NCB31CK-104X	C CAPACITOR		
	C 597	NEA70JM-226X	E CAPACITOR		
	C 598	NCB31CK-104X	C CAPACITOR		
	C 599	NCB31CK-104X	C CAPACITOR		
	C 605	NEA70JM-107X	E.CAPACITOR		
	C 606	NCB31CK-104X	C CAPACITOR		
	C 607	NEA70JM-107X	E.CAPACITOR		
	C 608	NEA70JM-107X	E.CAPACITOR		
	C 609	NEA70JM-107X	E.CAPACITOR		
	C 610	NEA70JM-107X	E.CAPACITOR		
	C 611	NCB31CK-104X	C CAPACITOR		
	C 612	NEA71EM-475X	E.CAPACITOR.		
	C 613	NEA71EM-475X	E.CAPACITOR.		
	C 614	NEA70JM-107X	E.CAPACITOR		
	C 615	NEA70JM-107X	E.CAPACITOR		
	C 616	NCF21CZ-155X	C CAPACITOR		
	C 623	NEA70JM-476X	E.CAPACITOR		
	C 624	NEA70JM-476X	E.CAPACITOR		
	C 625	NEA70JM-476X	E.CAPACITOR		
	C 626	NEA70JM-476X	E.CAPACITOR		
	C 627	NEA70JM-476X	E.CAPACITOR		
	C 801	NEA71CM-107X	E CAPACITOR		
	C 802	NCB31CK-104X	C CAPACITOR		
	C 803	NEA71CM-107X	E CAPACITOR		
	C 804	NCB31HK-331X	C CAPACITOR		
	C 805	NCB31HK-471X	C CAPACITOR		
	C 808	NCB31CK-223X	C CAPACITOR		
	C 809	NCB31CK-103X	C CAPACITOR		
	C 812	NCB31CK-104X	C CAPACITOR		
	C 813	NEA70JM-476X	E.CAPACITOR		
	C 931	NEA70JM-226X	E CAPACITOR		
	C 932	NCB31CK-104X	C CAPACITOR		
	C 933	NEX50JM-156X	E.CAPA.C.M		
	C 934	NCB31CK-104X	C CAPACITOR		
	C 941	NCB31CK-104X	C CAPACITOR		
	C 942	NCB31CK-104X	C CAPACITOR		
	C 943	NCB31CK-104X	C CAPACITOR		
	C 944	NCB31CK-102X	C.CAPA. C.M		
	C 945	NCB31CK-104X	C CAPACITOR		
	C1002	NCB31CK-104X	C CAPACITOR		
	C1003	NCB31CK-104X	C CAPACITOR		
	C1004	NCB31CK-104X	C CAPACITOR		
	C1005	NCB31CK-104X	C CAPACITOR		
	C1006	NCB31CK-104X	C CAPACITOR		
	C1007	NCB31CK-104X	C CAPACITOR		
	C1008	NCB31CK-104X	C CAPACITOR		
	C1009	NCB31CK-104X	C CAPACITOR		
	C1010	NCB31CK-104X	C CAPACITOR		
	C1011	NCB31CK-104X	C CAPACITOR		
	C1012	NCB31CK-104X	C CAPACITOR		
	C1013	NCB31CK-104X	C CAPACITOR		
	C1014	NCB31CK-104X	C CAPACITOR		
	C1015	NCB31CK-104X	C CAPACITOR		
	C1016	NCS31HJ-100X	C CAPACITOR		
	C1017	NCS31HJ-100X	C CAPACITOR		
	C1018	NCB31CK-104X	C CAPACITOR		

△	Item	Parts number	Parts name	Remarks	Area
	CN210	QGF0503C1-40V	CONNECTOR		HA-MAIN
	CN401	QGF1016C2-05W	FFC/FPC CONNECTOR		
	CN601	QGB1218J2-18X	B TO B CONNECTOR		MAIN-AUDIO
	CN602	QGB1218J2-18X	B TO B CONNECTOR		MAIN-AUDIO
	CN603	QGB2510J1-16	CONNECTOR		MAIN-4CH
	CN801	QGF1016C2-13W	FFC/FPC CONNECTOR		MAIN-FRONT
	CN803	QGF0503C1-40V	CONNECTOR		MAIN-FRONT
	CN807	QGA2001F2-08X	SOCKET		PS-MAIN
	CN808	QGA2001C2-06X	W TO B CONNECTOR		MAIN-LOADER
	CN809	QGA2001C2-03X	W TO B CONNECTOR		MAIN-LOADER
	CN810	QGA2001C2-09X	FFC/FPC CONNECTOR		MAIN-CONNECT
	CN901	QGA2001F2-13X	CONNECTOR C.M		PS-MAIN
	D 451	1SS355-X	DIODE C.M		
	D 452	1SS355-X	DIODE C.M		
	D 453	1SS355-X	DIODE C.M		
	D 454	1SS355-X	DIODE C.M		
	D 455	UDZ59.1B-X	Z DIODE		
	D 456	1SS355-X	DIODE C.M		
	D 610	1SS355-X	DIODE C.M		
	D 611	1SS355-X	DIODE C.M		
	D 612	1SS355-X	DIODE C.M		
	D 613	1SS355-X	DIODE C.M		
	D 614	1SS355-X	DIODE C.M		
	D 615	1SS355-X	DIODE C.M		
	D 801	1SS355-X	DIODE C.M		
	D 802	1SS355-X	DIODE C.M		
	D 803	1SS355-X	DIODE C.M		
	IC201	MN67706ZY	IC		ADSC
	IC301	MN103S13BDA	IC		ODC
	IC401	MN102L25GGW	IC C.M		
	IC403	AK93C65AF-X	IC		EEPROM
	IC451	BA6287F-X	IC		
	IC452	BA6287F-X	IC		
	IC500	JCV8005-3	IC		
	IC501	NDV8601VWA-BB	IC		
	IC502	NAX0265-001X	IC		
	IC505	K4S643232E-TC60	IC		
	IC509	SST39VF160-7CEK	IC		
	IC510	AK93C65AF-X	IC		
	IC511	LM1117MP1.8-X	IC		
	IC512	74LCX373MTC-X	IC(DIGITAL)		
	IC513	74LCX373MTC-X	IC(DIGITAL)		
	IC516	MM74HCT32MTC-X	IC		
	IC517	74LCX32MTC-X	IC(DIGITAL)		
	IC518	NC7SZ125P5-X	IC(DIGITAL)		
	IC601	BA7660FS-X	V.BUFFER		
	IC602	BA7665FS-X	V.BUFFER		
	IC801	UPD780232GC-055	IC MICON		
	IC802	NJU3715G-W	IC		
	IC803	PST574M/E-W	IC		
	K 201	NQR0007-002X	FERRITE BEADS		
	K 202	NQR0007-002X	FERRITE BEADS		
	K 203	NQR0007-002X	FERRITE BEADS		
	K 301	NQR0007-002X	FERRITE BEADS		
	K 302	NQR0007-002X	FERRITE BEADS		
	K 303	NQR0007-002X	FERRITE BEADS		
	K 402	NQR0007-002X	FERRITE BEADS		
	K 501	NQR0007-002X	FERRITE BEADS		
	K 504	NQR0007-002X	FERRITE BEADS		
	K 505	NQR0007-002X	FERRITE BEADS		
	K 506	NQR0007-002X	FERRITE BEADS		
	K 508	NQR0007-002X	FERRITE BEADS		
	K 509	NQR0007-002X	FERRITE BEADS		
	K 510	NQR0007-002X	FERRITE BEADS		
	K 513	NQR0007-002X	FERRITE BEADS		
	K 516	NQR0007-002X	FERRITE BEADS		

■ Electrical parts list (Servo control board)

Block No. 01

△	Item	Parts number	Parts name	Remarks	Area
	K 519	NQR0007-002X	FERRITE BEADS		
	K1002	NQR0007-002X	FERRITE BEADS		
	L 201	NQL044K-100X	INDUCTOR		
	L 202	NQL044K-100X	INDUCTOR		
	L 501	NQL12BK-100X	MURATA COIL		
	L 502	NQL12BK-100X	MURATA COIL		
	L 601	NQR0430-001X	FILTER 1.M		
	L 602	NQR0429-001X	LPF		
	L 603	NQR0429-001X	LPF		
	L 604	NQR0429-001X	LPF		
	L 801	NQL044M-2R2X	INDUCTOR.C.M.		
	Q 401	DTC114EE-X	TRANSISTOR		
	Q 402	DTC114EE-X	TRANSISTOR		
	Q 451	2SC4081/QR/-X	TRANSISTOR		
	Q 452	2SC4081/QR/-X	TRANSISTOR		
	Q 501	2SB1424/QR/-X	TRANSISTOR		
	Q 502	2SC2412K/RS/-X	CHIP TRANSISTOR		
	Q 605	DTA114EE-X	DIGITAL.TR		
	Q 606	DTA114EE-X	DIGITAL.TR		
	Q 607	DTA114EE-X	DIGITAL.TR		
	Q 608	DTA114EE-X	DIGITAL.TR		
	Q 801	DTC114YKA-X	CHIP D.TRANSIST		
	Q 901	KTC4377/C/-X	POW TRANSISTOR		
	R 202	NRSA63J-473X	MG RESISTOR		
	R 205	NRSA63J-473X	MG RESISTOR		
	R 206	NRS125J-4R7X	MG RESISTOR		
	R 208	NRSA63J-473X	MG RESISTOR		
	R 209	NRSA63J-123X	MG RESISTOR		
	R 210	NRSA63J-473X	MG RESISTOR		
	R 211	NRSA63J-273X	MG RESISTOR		
	R 212	NRSA63J-273X	MG RESISTOR		
	R 213	NRSA63J-562X	MG RESISTOR		
	R 214	NRSA63J-123X	MG RESISTOR		
	R 215	NRSA63J-105X	MG RESISTOR		
	R 218	NRSA63J-153X	MG RESISTOR		
	R 219	NRSA63J-473X	MG RESISTOR		
	R 220	NRSA63J-473X	MG RESISTOR		
	R 223	NRSA63J-473X	MG RESISTOR		
	R 226	NRSA63J-123X	MG RESISTOR		
	R 227	NRSA63J-102X	MG RESISTOR		
	R 229	NRSA63J-273X	MG RESISTOR		
	R 230	NRSA63J-273X	MG RESISTOR		
	R 231	NRSA63J-0R0X	MG RESISTOR		
	R 233	NRSA63J-472X	MG RESISTOR		
	R 234	NRSA63J-472X	MG RESISTOR		
	R 235	NRSA63J-272X	MG RESISTOR		
	R 236	NRSA63J-0R0X	MG RESISTOR		
	R 237	NRSA63J-221X	MG RESISTOR		
	R 238	NRSA63J-221X	MG RESISTOR		
	R 239	NRSA63J-221X	MG RESISTOR		
	R 240	NRSA63J-221X	MG RESISTOR		
	R 241	NRSA63J-221X	MG RESISTOR		
	R 242	NRSA63J-102X	MG RESISTOR		
	R 243	NRSA63J-102X	MG RESISTOR		
	R 245	NRSA63J-102X	MG RESISTOR		
	R 246	NRSA63J-102X	MG RESISTOR		
	R 248	NRSA63J-473X	MG RESISTOR		
	R 249	NRSA63J-473X	MG RESISTOR		
	R 250	NRSA63J-473X	MG RESISTOR		
	R 255	NRSA63J-103X	MG RESISTOR		
	R 256	NRSA63J-103X	MG RESISTOR		
	R 278	NRSA63J-103X	MG RESISTOR		
	R 279	NRSA63J-103X	MG RESISTOR		
	R 285	NRSA63J-103X	MG RESISTOR		
	R 294	NRSA63J-0R0X	MG RESISTOR		
	R 295	NRSA63J-0R0X	MG RESISTOR		

△	Item	Parts number	Parts name	Remarks	Area
	R 301	NRSA63J-473X	MG RESISTOR		
	R 302	NRSA63J-473X	MG RESISTOR		
	R 303	NRSA63J-473X	MG RESISTOR		
	R 304	NRSA63J-473X	MG RESISTOR		
	R 305	NRSA63J-473X	MG RESISTOR		
	R 306	NRSA63J-473X	MG RESISTOR		
	R 307	NRSA63J-473X	MG RESISTOR		
	R 308	NRSA63J-473X	MG RESISTOR		
	R 309	NRSA63J-103X	MG RESISTOR		
	R 310	NRSA63J-102X	MG RESISTOR		
	R 311	NRSA63J-102X	MG RESISTOR		
	R 317	NRSA63J-0R0X	MG RESISTOR		
	R 318	NRSA63J-0R0X	MG RESISTOR		
	R 322	NRSA63J-473X	MG RESISTOR		
	R 324	NRSA63J-473X	MG RESISTOR		
	R 328	NRSA63J-473X	MG RESISTOR		
	R 345	NRSA63J-562X	MG RESISTOR		
	R 346	NRSA63J-472X	MG RESISTOR		
	R 347	NRSA63J-102X	MG RESISTOR		
	R 348	NRSA63J-102X	MG RESISTOR		
	R 349	NRSA63J-102X	MG RESISTOR		
	R 350	NRSA63J-102X	MG RESISTOR		
	R 364	NRSA63J-0R0X	MG RESISTOR		
	R 403	NRSA63J-472X	MG RESISTOR		
	R 405	NRSA63J-472X	MG RESISTOR		
	R 408	NRSA63J-472X	MG RESISTOR		
	R 411	NRSA63J-472X	MG RESISTOR		
	R 412	NRSA63J-222X	MG RESISTOR		
	R 413	NRSA63J-472X	MG RESISTOR		
	R 414	NRSA63J-472X	MG RESISTOR		
	R 415	NRSA63J-472X	MG RESISTOR		
	R 416	NRSA63J-472X	MG RESISTOR		
	R 417	NRSA63J-472X	MG RESISTOR		
	R 418	NRSA63J-472X	MG RESISTOR		
	R 421	NRSA63J-0R0X	MG RESISTOR		
	R 430	NRSA63J-0R0X	MG RESISTOR		
	R 434	NRSA63J-102X	MG RESISTOR		
	R 435	NRSA63J-102X	MG RESISTOR		
	R 436	NRSA63J-102X	MG RESISTOR		
	R 437	NRSA63J-102X	MG RESISTOR		
	R 441	NRSA63J-472X	MG RESISTOR		
	R 442	NRSA63J-472X	MG RESISTOR		
	R 443	NRSA63J-332X	MG RESISTOR		
	R 451	NRSA63J-331X	MG RESISTOR		
	R 452	NRS125J-R47X	MG RESISTOR		
	R 453	NRSA63J-121X	MG RESISTOR		
	R 454	NRS125J-R47X	MG RESISTOR		
	R 455	NRSA63J-751X	MG.RES C.M		
	R 456	NRSA63J-103X	MG RESISTOR		
	R 457	NRSA63J-183X	MG RESISTOR		
	R 501	NRSA63J-221X	MG RESISTOR		
	R 503	NRSA63J-103X	MG RESISTOR		
	R 504	NRSA63J-103X	MG RESISTOR		
	R 509	NRSA63J-333X	MG RESISTOR		
	R 510	NRSA63J-102X	MG RESISTOR		
	R 511	NRSA63J-0R0X	MG RESISTOR		
	R 512	NRSA63J-0R0X	MG RESISTOR		
	R 513	NRSA63J-152X	MG RESISTOR		
	R 531	NRSA63J-562X	MG RESISTOR		
	R 532	NRSA63J-392X	MG RESISTOR		
	R 533	NRSA63J-102X	MG RESISTOR		
	R 534	NRSA63J-561X	MG RESISTOR		
	R 541	NRSA63J-0R0X	MG RESISTOR		
	R 542	NRSA63J-0R0X	MG RESISTOR		
	R 543	NRSA63J-0R0X	MG RESISTOR		
	R 544	NRSA63J-0R0X	MG RESISTOR		

■ Electrical parts list (Servo control board)

Block No. 01

△	Item	Parts number	Parts name	Remarks	Area
	R 545	NRSA63J-0R0X	MG RESISTOR		
	R 546	NRSA63J-0R0X	MG RESISTOR		
	R 548	NRSA63J-0R0X	MG RESISTOR		
	R 549	NRSA63J-0R0X	MG RESISTOR		
	R 550	NRSA63J-0R0X	MG RESISTOR		
	R 551	NRSA63J-0R0X	MG RESISTOR		
	R 552	NRSA63J-0R0X	MG RESISTOR		
	R 553	NRSA63J-0R0X	MG RESISTOR		
	R 557	NRSA63J-332X	MG RESISTOR		
	R 565	NRVA63D-472X	CMF RESISTOR		
	R 566	NRVA63D-152X	RESIS C.M		
	R 567	NRVA63D-820X	RES. C.M		
	R 568	NRVA63D-750X	RES. C.M		
	R 569	NRVA63D-750X	RES. C.M		
	R 570	NRSA63J-100X	MG RESISTOR		
	R 572	NRVA63D-750X	RES. C.M		
	R 573	NRSA63J-162X	MG RESISTOR		
	R 574	NRSA63J-162X	MG RESISTOR		
	R 575	NRSA02J-221X	MG RESISTOR		
	R 576	NRSA02J-221X	MG RESISTOR		
	R 578	NRSA02J-221X	MG RESISTOR		
	R 579	NRSA02J-221X	MG RESISTOR		
	R 580	NRSA02J-221X	MG RESISTOR		
	R 583	NRSA63J-271X	MG RESISTOR		
	R 590	NRSA63J-220X	MG RESISTOR		
	R 596	NRSA63J-750X	MG RESISTOR		
	R 597	NRSA63J-0R0X	MG RESISTOR		
	R 601	NRSA63J-222X	MG RESISTOR		
	R 602	NRSA63J-750X	MG RESISTOR		
	R 604	NRSA63J-820X	MG RESISTOR		
	R 605	NRSA63J-102X	MG RESISTOR		
	R 606	NRSA63J-750X	MG RESISTOR		
	R 607	NRSA63J-102X	MG RESISTOR		
	R 608	NRSA63J-750X	MG RESISTOR		
	R 621	NRSA63J-0R0X	MG RESISTOR		
	R 622	NRSA63J-0R0X	MG RESISTOR		
	R 801	NRSA63J-103X	MG RESISTOR		
	R 802	NRSA63J-103X	MG RESISTOR		
	R 803	NRSA63J-101X	MG RESISTOR		
	R 831	NRSA63J-222X	MG RESISTOR		
	R 832	NRSA63J-222X	MG RESISTOR		
	R 833	NRSA63J-222X	MG RESISTOR		
	R 834	NRSA63J-222X	MG RESISTOR		
	R 835	NRSA63J-431X	MG RESISTOR		
	R 836	NRSA63J-152X	MG RESISTOR		
	R 837	NRSA63J-222X	MG RESISTOR		
	R 840	NRSA63J-103X	MG RESISTOR		
	R 842	NRSA63J-561X	MG RESISTOR		
	R 843	NRSA63J-103X	MG RESISTOR		
	R 844	NRSA63J-103X	MG RESISTOR		
	R 846	NRSA63J-103X	MG RESISTOR		
	R 847	NRSA63J-103X	MG RESISTOR		
	R 851	NRSA63J-103X	MG RESISTOR		
	R 852	NRSA63J-103X	MG RESISTOR		
	R 853	NRSA63J-103X	MG RESISTOR		
	R 854	NRSA63J-103X	MG RESISTOR		
	R 855	NRSA63J-103X	MG RESISTOR		
	R 856	NRSA63J-103X	MG RESISTOR		
	R 857	NRSA63J-103X	MG RESISTOR		
	R 858	NRSA63J-103X	MG RESISTOR		
	R 891	NRSA02J-0R0X	MG RESISTOR		
	R 892	NRSA02J-0R0X	MG RESISTOR		
	R 893	NRSA02J-0R0X	MG RESISTOR		
	R 894	NRSA02J-0R0X	MG RESISTOR		
	R 931	NRSA63J-0R0X	MG RESISTOR		
	R1001	NRSA63J-0R0X	MG RESISTOR		

△	Item	Parts number	Parts name	Remarks	Area
	R1003	NRSA63J-0R0X	MG RESISTOR		
	R1005	NRSA63J-0R0X	MG RESISTOR		
	R1007	NRSA63J-0R0X	MG RESISTOR		
	R1009	NRSA63J-0R0X	MG RESISTOR		
	R1011	NRSA63J-0R0X	MG RESISTOR		
	R1013	NRSA63J-0R0X	MG RESISTOR		
	R1015	NRSA63J-0R0X	MG RESISTOR		
	R1017	NRSA63J-102X	MG RESISTOR		
	R1018	NRSA63J-0R0X	MG RESISTOR		
	R1019	NRSA63J-105X	MG RESISTOR		
	R1020	NRSA63J-472X	MG RESISTOR		
	R1021	NRSA63J-0R0X	MG RESISTOR		
	X 401	NAX0291-001X	C OSCILLATOR	10MHZ	
	X 801	NAX0482-001X	RESONATOR 1.M		
	X1001	NAX0277-002X	CRYSTAL		

Electrical parts list (Main board)

Block No. 02

Item	Parts number	Parts name	Remarks	Area	Item	Parts number	Parts name	Remarks	Area
BK761	E409182-001SM	GRAND TERMINAL			C1121	QCZ0202-155Z	ML C CAPA I/M	1.5MF	
BK771	E409182-001SM	GRAND TERMINAL			C1122	QCZ0202-155Z	ML C CAPA I/M	1.5MF	
C 902	QFZ9075-683	M CAPACITOR	.068MF		C1123	QCZ0202-155Z	ML C CAPA I/M	1.5MF	
C 903	QFZ9075-683	M CAPACITOR	.068MF		C1124	QCZ0202-155Z	ML C CAPA I/M	1.5MF	
C 905	QCZ9079-102	C CAPACITOR	1000PF		C1125	QFN31HJ-103Z	M CAPACITOR	.010MF 5% 50V	
C 906	QCZ9079-102	C CAPACITOR	1000PF		C1126	QFVJ1HJ-224Z	MF CAPACITOR	.22MF 5% 50V	
C 907	QETM2DM-157	E CAPACITOR	J/C/DOM		C1127	QTE1A28-477Z	E CAPACITOR		
C 908	QCZ0136-332Z	C CAPACITOR	3300PF		C1128	QFLC1HJ-152Z	M CAPACITOR	1500PF 5% 50V	
C 909	QCZ0136-101Z	C CAPACITOR	100PF		C1131	QFLC1HJ-272Z	M.CAPA. I/M	2700PF 5% 50V	
C 910	QCB1HK-221Y	C CAPACITOR	220PF 10% 50V		C1132	QFLC1HJ-272Z	M.CAPA. I/M	2700PF 5% 50V	
C 913	QCZ0136-101Z	C CAPACITOR	100PF		C1133	QFLC1HJ-152Z	M CAPACITOR	1500PF 5% 50V	
C 914	QEZ0532-396Z	E CAPACITOR	39MF		C1151	QTE1C28-476Z	E CAPACITOR		
C 915	QCB1HK-471Y	C CAPACITOR	470PF 10% 50V		C1152	QFVJ1HJ-104Z	MF CAPACITOR	.10MF 5% 50V	
C 917	QCFB1HZ-104Y	C CAPACITOR	.10MF +80-20%		C1153	QFVJ1HJ-104Z	MF CAPACITOR	.10MF 5% 50V	
C 918	QCFB1HZ-104Y	C CAPACITOR	.10MF +80-20%		C1161	QCZ0202-155Z	ML C CAPA I/M	1.5MF	
C 919	QCZ0136-101Z	C CAPACITOR	100PF		C1162	QTE1E28-476Z	E CAPACITOR		
C 951	QCZ0136-101Z	C CAPACITOR	100PF		C1163	QCB1HK-151Y	C CAPACITOR	150PF 10% 50V	
C 960	QEZ0529-826Z	E CAPACITOR	82MF		C1164	QCB1HK-221Y	C CAPACITOR	220PF 10% 50V	
C 961	QFVC1HJ-104Z	M.M.CAPACITOR	.10MF 5% 50V		C1165	QDVB1EZ-223Y	C CAPACITOR		
C 962	QETN1HM-226Z	E CAPACITOR	22MF 20% 50V		C1166	QTE1A28-107Z	E CAPACITOR		
C 963	QEZ0533-396Z	E CAPACITOR	39MF		C1167	QCFB1HZ-104Y	C CAPACITOR	.10MF +80-20%	
C 964	QFVC1HJ-104Z	M.M.CAPACITOR	.10MF 5% 50V		C1181	QCF31HZ-223Z	C CAPACITOR	.022MF +80-20%	
C 965	QEZ0528-108	E CAPACITOR	1000MF		C1193	QCZ0202-155Z	ML C CAPA I/M	1.5MF	
C 966	QETN1AM-227Z	E CAPACITOR	220MF 20% 10V		CN604	QGB1218K2-18	CONNECTOR		
C 967	QFVC1HJ-104Z	M.M.CAPACITOR	.10MF 5% 50V		CN605	QGB1218K2-18	CONNECTOR		
C 968	QFVC1HJ-104Z	M.M.CAPACITOR	.10MF 5% 50V		CN751	QGB1218J1-18	CONNECTOR		
C 969	QETN1AM-227Z	E CAPACITOR	220MF 20% 10V		CN752	QGB1218J1-18	CONNECTOR		
C 970	QETN1AM-107Z	E CAPACITOR	100MF 20% 10V		CN754	QGB2510J1-04	CONNECTOR		
C 971	QEZ0528-108	E CAPACITOR	1000MF		CN755	QGB1218K2-18	CONNECTOR		
C 972	QETN1AM-477Z	E CAPACITOR	470MF 20% 10V		CN756	QGB1218K2-18	CONNECTOR		
C 973	QFVC1HJ-104Z	M.M.CAPACITOR	.10MF 5% 50V		CN841	QGF1031C1-09S	FFC/FPC CONNECTOR		
C 978	QETN1AM-107Z	E CAPACITOR	100MF 20% 10V		CN842	QGA2001F1-09	9P SOCKET		
C 979	QEZ0530-827	E CAPACITOR	820MF		CN951	QGF1016C1-11	CONNECTOR		
C 981	QFVC1HJ-104Z	M.M.CAPACITOR	.10MF 5% 50V		CN952	QGA2001F1-08	CONNECTOR		
C 982	QEMW1EM-108	E CAPACITOR	1000MF 20% 25V		CN953	QGA2001F1-13	CONNECTOR		
C 984	QETN1EM-477Z	E CAPACITOR	470MF 20% 25V		CP951	ICP-N10-T	ICP		
C 987	QETN1EM-477Z	E CAPACITOR	470MF 20% 25V		D 901	S1WB/A60-4101	BRIDGE DIODE		
C 989	QETN1EM-107Z	E CAPACITOR	100MF 20% 25V		D 902	ERA18-04-T1	FR DIODE		
C 992	QETN1HM-474Z	E CAPACITOR	.47MF 20% 50V		D 903	ERA18-04-T1	FR DIODE		
C 993	QCB1HK-101Y	C CAPACITOR	100PF 10% 50V		D 904	ERA18-04-T1	FR DIODE		
C 994	QDVB1EZ-223Y	C CAPACITOR			D 908	ERA18-04-T1	FR DIODE		
C 995	QETN1CM-227Z	E CAPACITOR	220MF 20% 16V		D 910	ERA18-04-T1	FR DIODE		
C 996	QETN1CM-226Z	E CAPACITOR	22MF 20% 16V		D 911	1SS133-T2	SI DIODE IM		
C 997	QETN1CM-227Z	E CAPACITOR	220MF 20% 16V		D 950	ERA18-04-T1	FR DIODE		
C1101	QFLC1HJ-182Z	M CAPACITOR	1800PF 5% 50V		D 951	ERA18-04-T1	FR DIODE		
C1102	QFLC1HJ-182Z	M CAPACITOR	1800PF 5% 50V		D 952	ERA18-04-T1	FR DIODE		
C1103	QTE1E48-476Z	E CAPACITOR			D 953	FMB-24	FUSEIODE		
C1104	QTE1E48-476Z	E CAPACITOR			D 954	ERA18-04-T1	FR DIODE		
C1105	QTE1C28-107Z	E CAPACITOR			D 956	ERA18-04-T1	FR DIODE		
C1106	QTE1C28-107Z	E CAPACITOR			D 957	ERA18-04-T1	FR DIODE		
C1107	QTE1C28-107Z	E CAPACITOR			D 958	FMB-24	FUSEIODE		
C1108	QTE1C28-107Z	E CAPACITOR			D 960	MTZJ4.7B-T2	Z DIODE I M		
C1109	QFP31HG-103Z	PP CAPACITOR	.010MF 50V		D 972	1SS133-T2	SI DIODE IM		
C1110	QFP31HG-103Z	PP CAPACITOR	.010MF 50V		D 973	1SS133-T2	SI DIODE IM		
C1111	QFN31HJ-561Z	M.CAPA I/M	560PF 5% 50V		D 974	1SS133-T2	SI DIODE IM		
C1112	QFN31HJ-561Z	M.CAPA I/M	560PF 5% 50V		D 991	MTZJ5.1C-T2	ZENER DIODE		
C1113	QFN31HJ-182Z	M CAPACITOR	1800PF 5% 50V		D1161	MTZJ3.3B-T2	ZENER DIODE IM		
C1114	QFN31HJ-182Z	M CAPACITOR	1800PF 5% 50V		FC901	QNG0003-001Z	FUSE CLIP		
C1115	QFP31HJ-121Z	PP CAPACITOR	120PF 5% 50V		FC902	QNG0003-001Z	FUSE CLIP		
C1116	QFP31HJ-121Z	PP CAPACITOR	120PF 5% 50V		HS901	E70306-002	HEAT SINK		
C1117	QFLC1HJ-561Z	M.CAPA I/M	560PF 5% 50V		HS952	E70306-002	HEAT SINK		
C1118	QFLC1HJ-561Z	M.CAPA I/M	560PF 5% 50V		IC751	NJM5532L	IC		
C1119	QTE0J28-108Z	E CAPACITOR			IC752	NJM5532L	IC		
C1120	QTE0J28-108Z	E CAPACITOR			IC753	MN35505-X	IC C M		

■ Electrical parts list (Main board)

Block No. 02

△	Item	Parts number	Parts name	Remarks	Area
	IC754	TC74HC08AP	IC		
	IC755	NJM78L05A-T	IC I.M		
△	IC901	STR-G6651	IC		
	IC951	PQ05RD21	IC		
	IC952	SI-3033C	IC		
	J 751	QNN0469-001	OPT TRANSMITTER		
	J 752	QNN0467-001	PIN JACK	COAX D.OUT	
	J 753	QNZ0487-001	OPT TRANSMITTER	OPT D.OUT	
	J 754	QNN0454-001	PIN JACK		
	J 755	QNN0471-001	PIN JACK		
	J 756	QNS0089-001	3.5 JACK	COMPULINK	
△	J 901	QNC0082-001	AC INLET	J/C	
	K 902	QQR1183-001Z	F.BEADS I.M		
	K1101	QQR1183-001Z	F.BEADS I.M		
	K1102	QQR1183-001Z	F.BEADS I.M		
	K1103	QQR1183-001Z	F.BEADS I.M		
	K1104	QQR1183-001Z	F.BEADS I.M		
	K1161	QQR1183-001Z	F.BEADS I.M		
	K1162	QQR1183-001Z	F.BEADS I.M		
	K1163	QQR1183-001Z	F.BEADS I.M		
△	L 901	QQR1194-001	LINE FILTER		
	L 951	QQL31AK-101Z	INDUCTOR		
	L 952	QQL26AK-220Z	INDUCTOR		
	L 955	QQL26AK-220Z	INDUCTOR		
	L 957	QQL244K-100Z	INDUCTOR		
	L 959	QQL244K-100Z	INDUCTOR		
	L1101	QQL121M-1R0Y	INDUCTOR I.M		
△	PC901	PC123FY	IC(PHOTO COUPLE		
△	PC902	PC123FY	IC(PHOTO COUPLE		
	Q 951	KTD863/Y-T	TRANSISTOR		
	Q 952	KRA104M-T	D.TR.I.M		
	Q 953	KTA1267/G-T	TR I/M		
	Q 991	KTC3199/Y-T	TR I/M		
	Q1101	2SC3576-JVC-T	TRANSISTOR I/M		
	Q1102	2SC3576-JVC-T	TRANSISTOR I/M		
	Q1103	2SC3576-JVC-T	TRANSISTOR I/M		
	Q1104	2SC3576-JVC-T	TRANSISTOR I/M		
	R 900	QRE141J-221Y	C RESISTOR	220 5% 1/4W	
△	R 901	QRL01DJ-683X	OMF RESISTOR	68K 5% 1/1W	
	R 902	QRZ9044-335	COMP.RESISTOR	3.3M 1/0W	
△	R 903	QRE141J-390Y	C RESISTOR	39 5% 1/4W	
	R 904	QRE141J-222Y	C RESISTOR	2.2K 5% 1/4W	
	R 905	QRL027J-683	OMF RESISTOR	68K 5% 1/2W	
	R 906	QRE141J-681Y	C RESISTOR	680 5% 1/4W	
△	R 907	QRT022J-R47	OMF RESISTOR	5% 1/2W	
	R 908	QRE141J-332Y	C RESISTOR	3.3K 5% 1/4W	
	R 910	QRE141J-754Y	C RESISTOR	750K 5% 1/4W	
	R 911	QRE141J-754Y	C RESISTOR	750K 5% 1/4W	
	R 952	QRE141J-103Y	C RESISTOR	10K 5% 1/4W	
	R 953	QRE141J-103Y	C RESISTOR	10K 5% 1/4W	
	R 955	QRE141J-223Y	C RESISTOR	22K 5% 1/4W	
	R 956	QRE141J-120Y	C RESISTOR	12 5% 1/4W	
	R 960	QRE141J-101Y	C RESISTOR	100 5% 1/4W	
	R 961	QRE141J-681Y	C RESISTOR	680 5% 1/4W	
	R 963	QRE141J-101Y	C RESISTOR	100 5% 1/4W	
	R 965	QRE141J-103Y	C RESISTOR	10K 5% 1/4W	
	R 969	QRE141J-221Y	C RESISTOR	220 5% 1/4W	
	R 973	QRE141J-102Y	C RESISTOR	1.0K 5% 1/4W	
	R 974	QRE141J-562Y	C RESISTOR	5.6K 5% 1/4W	
	R 975	QRE141J-562Y	C RESISTOR	5.6K 5% 1/4W	
	R 976	QRE141J-221Y	C RESISTOR	220 5% 1/4W	
	R1101	QRE141J-101Y	C RESISTOR	100 5% 1/4W	
	R1102	QRE141J-101Y	C RESISTOR	100 5% 1/4W	
	R1103	QRE141J-103Y	C RESISTOR	10K 5% 1/4W	
	R1104	QRE141J-103Y	C RESISTOR	10K 5% 1/4W	
	R1105	QRE141J-561Y	C RESISTOR	560 5% 1/4W	

△	Item	Parts number	Parts name	Remarks	Area
	R1106	QRE141J-561Y	C RESISTOR	560 5% 1/4W	
	R1107	QRE141J-273Y	C RESISTOR	27K 5% 1/4W	
	R1108	QRE141J-273Y	C RESISTOR	27K 5% 1/4W	
	R1109	QRE141J-183Y	C RESISTOR	18K 5% 1/4W	
	R1110	QRE141J-183Y	C RESISTOR	18K 5% 1/4W	
	R1111	QRE141J-821Y	C RESISTOR	820 5% 1/4W	
	R1112	QRE141J-821Y	C RESISTOR	820 5% 1/4W	
	R1113	QRE141J-221Y	C RESISTOR	220 5% 1/4W	
	R1114	QRE141J-221Y	C RESISTOR	220 5% 1/4W	
	R1115	QRE141J-221Y	C RESISTOR	220 5% 1/4W	
	R1116	QRE141J-221Y	C RESISTOR	220 5% 1/4W	
	R1117	QRA14CF-6200Y	M.F.RESISTOR	62 1/4W	
	R1118	QRA14CF-6200Y	M.F.RESISTOR	62 1/4W	
	R1119	QRA14CF-6800Y	M.F.RESISTOR	68 1/4W	
	R1120	QRA14CF-6800Y	M.F.RESISTOR	68 1/4W	
	R1121	QRA14CF-3601Y	M.F.RESISTOR	36 1/4W	
	R1122	QRA14CF-3601Y	M.F.RESISTOR	36 1/4W	
	R1123	QRA14CF-3601Y	M.F.RESISTOR	36 1/4W	
	R1124	QRA14CF-3601Y	M.F.RESISTOR	36 1/4W	
	R1125	QRA14CF-3601Y	M.F.RESISTOR	36 1/4W	
	R1126	QRA14CF-3601Y	M.F.RESISTOR	36 1/4W	
	R1127	QRA14CF-1802Y	M.F.RESISTOR	18 1/4W	
	R1128	QRA14CF-1802Y	M.F.RESISTOR	18 1/4W	
	R1129	QRA14CF-3301Y	MF.RES IM	33 1/4W	
	R1130	QRA14CF-3301Y	MF.RES IM	33 1/4W	
	R1131	QRA14CF-1802Y	M.F.RESISTOR	18 1/4W	
	R1132	QRA14CF-1802Y	M.F.RESISTOR	18 1/4W	
	R1133	QRA14CF-1802Y	M.F.RESISTOR	18 1/4W	
	R1134	QRA14CF-1802Y	M.F.RESISTOR	18 1/4W	
	R1135	QRE141J-273Y	C RESISTOR	27K 5% 1/4W	
	R1136	QRE141J-273Y	C RESISTOR	27K 5% 1/4W	
	R1137	QRE141J-273Y	C RESISTOR	27K 5% 1/4W	
	R1138	QRE141J-273Y	C RESISTOR	27K 5% 1/4W	
	R1139	QRE141J-100Y	C RESISTOR	10 5% 1/4W	
	R1140	QRE141J-100Y	C RESISTOR	10 5% 1/4W	
	R1141	QRE141J-680Y	C RESISTOR	68 5% 1/4W	
	R1142	QRE141J-680Y	C RESISTOR	68 5% 1/4W	
	R1144	QRE141J-471Y	C RESISTOR	470 5% 1/4W	
	R1145	QRE141J-471Y	C RESISTOR	470 5% 1/4W	
	R1146	QRE141J-471Y	C RESISTOR	470 5% 1/4W	
	R1147	QRE141J-471Y	C RESISTOR	470 5% 1/4W	
	R1148	QRE141J-471Y	C RESISTOR	470 5% 1/4W	
	R1149	QRE141J-471Y	C RESISTOR	470 5% 1/4W	
	R1150	QRE141J-332Y	C RESISTOR	3.3K 5% 1/4W	
	R1151	QRE141J-473Y	C RESISTOR	47K 5% 1/4W	
	R1152	QRE141J-473Y	C RESISTOR	47K 5% 1/4W	
	R1153	QRE141J-105Y	C RESISTOR	1.0M 5% 1/4W	
	R1154	QRE141J-105Y	C RESISTOR	1.0M 5% 1/4W	
	R1155	QRE141J-103Y	C RESISTOR	10K 5% 1/4W	
	R1156	QRE141J-103Y	C RESISTOR	10K 5% 1/4W	
	R1161	QRE141J-331Y	C RESISTOR	330 5% 1/4W	
	R1162	QRE141J-750Y	C RESISTOR	75 5% 1/4W	
	R1163	QRE141J-270Y	C RESISTOR	27 5% 1/4W	
	R1164	QRE141J-104Y	C RESISTOR	100K 5% 1/4W	
	R1165	QRJ146J-2R2X	UNF C.RES I/M	2.2 5% 1/4W	
	R1181	QRE141J-750Y	C RESISTOR	75 5% 1/4W	
	R1182	QRE141J-750Y	C RESISTOR	75 5% 1/4W	
	R1183	QRE141J-750Y	C RESISTOR	75 5% 1/4W	
	R1184	QRE141J-750Y	C RESISTOR	75 5% 1/4W	
	R1185	QRE141J-750Y	C RESISTOR	75 5% 1/4W	
	R1186	QRE141J-750Y	C RESISTOR	75 5% 1/4W	
	R1187	QRE141J-101Y	C RESISTOR	100 5% 1/4W	
	R1188	QRE141J-101Y	C RESISTOR	100 5% 1/4W	
	SP753	VYH7653-001	IC HOLDER		
△	T 901	QQS0114-001	SW TRANSF		
	T1161	QQR1185-001	PULSE TRANS		

■ Electrical parts list (Operation switch & FL Display board) Block No. 03

△	Item	Parts number	Parts name	Remarks	Area
	C 806	QER61AM-476Z	E CAPACITOR	47MF 20% 10V	
	C 807	NCB31CK-104X	C CAPACITOR		
	C 810	QER61HM-475Z	E CAPACITOR	4.7MF 20% 50V	
	CN802	QGF1016F3-13	CONNECTOR C.M		
	CN804	QGF0522F1-40W	FFC/FPC CONNECTOR		
	CN805	QGF1016C2-07W	FFC/FPC CONNECTOR		
	CN806	QGF1016F3-07	FFC/FPC CONNECTOR		
	CN812	QGF1016F2-04W	CONNECTOR		
	CN813	QGF1016F2-04W	CONNECTOR		
	CN814	QGF1016F3-11	CONNECTOR		
	D 805	SLR-342DC-T	LED I.M		
	D 806	SLR-342DC-T	LED I.M		
	D 807	SLR-342DC-T	LED I.M		
	D 808	SLR-342DC-T	LED I.M		
	D 809	SLR-342DC-T	LED I.M		
	D 810	SLR-342DC-T	LED I.M		
	D 811	SLR-342DC-T	LED I.M		
	D 812	SPR-325MVWL/T	LED		
	D 813	SELU2E10C	LED		
	D 814	SPR-325MVWL/T	LED		
	D 815	SLR-342MC-T	LED		
	D 816	SLR-342DC-T	LED I.M		
	D 817	SLR-342DC-T	LED I.M		
	D 818	SLR-342DC-T	LED I.M		
	D 819	SLR-342DC-T	LED I.M		
	D 820	SLR-342DC-T	LED I.M		
	D 821	SLR-342DC-T	LED I.M		
	D 822	SLR-342DC-T	LED I.M		
	D 823	SLR-342MC-T	LED		
	DI801	QLF0085-002	FL TUBE	FUTABA	
	IC804	PIC-37043TH2	PHOTO DET.		
	R 805	NRSA63J-222X	MG RESISTOR		
	R 806	NRSA63J-431X	MG RESISTOR		
	R 807	NRSA63J-431X	MG RESISTOR		
	R 808	NRSA63J-561X	MG RESISTOR		
	R 809	NRSA63J-751X	MG.RES C.M		
	R 810	NRSA63J-132X	MG RESISTOR		
	R 811	NRSA63J-222X	MG RESISTOR		
	R 812	NRSA63J-512X	MG RESISTOR		
	R 813	NRSA63J-222X	MG RESISTOR		
	R 814	NRSA63J-431X	MG RESISTOR		
	R 815	NRSA63J-431X	MG RESISTOR		
	R 816	NRSA63J-561X	MG RESISTOR		
	R 817	NRSA63J-751X	MG.RES C.M		
	R 818	NRSA63J-132X	MG RESISTOR		
	R 819	NRSA63J-222X	MG RESISTOR		
	R 821	NRSA63J-151X	MG RESISTOR		
	R 822	NRSA63J-181X	MG RESISTOR		
	R 823	NRSA63J-121X	MG RESISTOR		
	R 824	NRSA63J-181X	MG RESISTOR		
	R 825	NRSA63J-181X	MG RESISTOR		
	R 826	NRSA63J-181X	MG RESISTOR		
	R 827	NRSA63J-181X	MG RESISTOR		
	R 828	NRSA63J-181X	MG RESISTOR		
	R 829	NRSA63J-181X	MG RESISTOR		
	R 830	NRSA63J-181X	MG RESISTOR		
	R 838	NRSA63J-101X	MG RESISTOR		
	R 839	NRSA63J-181X	MG RESISTOR		
	R 845	NRSA63J-181X	MG RESISTOR		
	R 859	NRSA63J-104X	MG RESISTOR		
	R 860	NRSA63J-181X	MG RESISTOR		
	R 861	NRSA63J-181X	MG RESISTOR		
	R 862	NRSA63J-181X	MG RESISTOR		
	R 863	NRSA63J-181X	MG RESISTOR		
	R 864	NRSA63J-181X	MG RESISTOR		
	R 865	NRSA63J-181X	MG RESISTOR		

△	Item	Parts number	Parts name	Remarks	Area
	R 866	NRSA63J-181X	MG RESISTOR		
	R 867	NRSA63J-181X	MG RESISTOR		
	R 868	NRSA63J-104X	MG RESISTOR		
	R 869	NRSA63J-104X	MG RESISTOR		
	R 870	NRSA63J-104X	MG RESISTOR		
	R 871	NRSA63J-104X	MG RESISTOR		
	R 872	NRSA63J-104X	MG RESISTOR		
	R 873	NRSA63J-104X	MG RESISTOR		
	R 874	NRSA63J-104X	MG RESISTOR		
	R 875	NRSA63J-104X	MG RESISTOR		
	R 876	NRSA63J-104X	MG RESISTOR		
	R 877	NRSA63J-104X	MG RESISTOR		
	R 878	NRSA63J-104X	MG RESISTOR		
	R 879	NRSA63J-104X	MG RESISTOR		
	R 880	NRSA63J-104X	MG RESISTOR		
	R 881	NRSA63J-104X	MG RESISTOR		
	R 882	NRSA63J-104X	MG RESISTOR		
	R 883	NRSA63J-104X	MG RESISTOR		
	R 884	NRSA63J-104X	MG RESISTOR		
	R 885	NRSA63J-104X	MG RESISTOR		
	R 886	NRSA63J-104X	MG RESISTOR		
	R 887	NRSA63J-104X	MG RESISTOR		
	R 888	NRSA63J-104X	MG RESISTOR		
	R1852	NRSA63J-104X	MG RESISTOR		
	R1853	NRSA63J-104X	MG RESISTOR		
	R1854	NRSA63J-104X	MG RESISTOR		
	R1855	NRSA63J-104X	MG RESISTOR		
	R1856	NRSA63J-104X	MG RESISTOR		
	R1857	NRSA63J-104X	MG RESISTOR		
	R1858	NRSA63J-104X	MG RESISTOR		
	R1860	NRSA63J-104X	MG RESISTOR		
	R1861	NRSA63J-104X	MG RESISTOR		
	R1862	NRSA63J-104X	MG RESISTOR		
	R1863	NRSA63J-104X	MG RESISTOR		
	R1864	NRSA63J-104X	MG RESISTOR		
	R1865	NRSA63J-104X	MG RESISTOR		
	R1866	NRSA63J-104X	MG RESISTOR		
	R1867	NRSA63J-104X	MG RESISTOR		
	S 801	QSW0651-001Z	TACT SWITCH		
	S 802	QSW0651-001Z	TACT SWITCH		
	S 803	QSW0651-001Z	TACT SWITCH		
	S 804	QSW0651-001Z	TACT SWITCH		
	S 805	QSW0651-001Z	TACT SWITCH		
	S 806	QSW0651-001Z	TACT SWITCH		
	S 807	QSW0651-001Z	TACT SWITCH		
	S 808	QSW0651-001Z	TACT SWITCH		
	S 809	QSW0651-001Z	TACT SWITCH		
	S 810	QSW0651-001Z	TACT SWITCH		
	S 811	QSW0651-001Z	TACT SWITCH		
	S 812	QSW0651-001Z	TACT SWITCH		
	S 813	QSW0651-001Z	TACT SWITCH		
	S 814	QSW0651-001Z	TACT SWITCH		
	S 815	QSW0651-001Z	TACT SWITCH		

■ Electrical parts list (Motor & detection switch board) Block No. 04

△	Item	Parts number	Parts name	Remarks	Area
	C 81	QCZ0202-155Z	ML C CAPA I/M	1.5MF	
	C 82	QCZ0202-155Z	ML C CAPA I/M	1.5MF	
	C 83	QDVB1EZ-223Y	C CAPACITOR		
	CN 81	QGF1016F3-09	FFC/FPC CONNECTOR		
	CN 82	QGF1016F3-04	CONNECTOR		
	CN 84	QJK018-064601	SOCKET WIRE 1		
	CN 85	QJK018-031703	SOCKET WIRE 2		
	IC 81	GP2S28	PHOTO SENSOR		
	IC 82	GP2S28	PHOTO SENSOR		
	Q 81	2SC1740S/RS/-T	TRANSISTOR		
	Q 82	2SC1740S/RS/-T	TRANSISTOR		
	R 81	QRE141J-271Y	C RESISTOR	270 5% 1/4W	
	R 82	QRE141J-123Y	C RESISTOR	12K 5% 1/4W	
	R 83	QRE141J-471Y	C RESISTOR	470 5% 1/4W	
	R 84	QRE141J-822Y	C RESISTOR	8.2K 5% 1/4W	
	R 85	QRE141J-103Y	C RESISTOR	10K 5% 1/4W	
	R 86	QRE141J-103Y	C RESISTOR	10K 5% 1/4W	
	S 81	QSW0472-001	SWITCH		
	S 82	QSW0472-001	SWITCH		
	S 83	QSW0472-001	SWITCH		

■ Electrical parts list (Cam switch board) Block No. 05

△	Item	Parts number	Parts name	Remarks	Area
	CN083	QGF1016F3-04	CONNECTOR		
	S 084	QSW0932-001	CAM SWITCH		

■ Electrical parts list (Frontend & Motor driver board)

Block No. 06

△	Item	Parts number	Parts name	Remarks	Area
	C 101	NCB31CK-104X	C CAPACITOR		
	C 105	NEA70JM-476X	E.CAPACITOR		
	C 106	NEA70JM-476X	E.CAPACITOR		
	C 107	NCB31CK-104X	C CAPACITOR		
	C 119	NCS31HJ-221X	C.CAPA. C.M		
	C 120	NCS31HJ-820X	C CAPACITOR		
	C 121	NCS31HJ-220X	C CAPACITOR		
	C 122	NCB31HK-271X	C CAPACITOR		
	C 123	NCB31CK-104X	C CAPACITOR		
	C 124	NCB31CK-104X	C CAPACITOR		
	C 125	NCB31CK-104X	C CAPACITOR		
	C 126	NBSG0JM-157X	E CAPACITOR		
	C 127	NCB31HK-102X	C CAPACITOR		
	C 128	NCB31CK-104X	C CAPACITOR		
	C 130	NCB31CK-104X	C CAPACITOR		
	C 131	NCS31HJ-120X	C.CAPA. C.M		
	C 132	NCB31CK-104X	C CAPACITOR		
	C 133	NCB31HK-561X	C CAPACITOR		
	C 134	NCB31HK-561X	C CAPACITOR		
	C 135	NCB31CK-273X	C CAPACITOR		
	C 136	NCB31CK-473X	C CAPACITOR		
	C 138	NCB31CK-104X	C CAPACITOR		
	C 139	NCB31CK-104X	C CAPACITOR		
	C 140	NBTL0JM-226X	E.CAPA.C.M		
	C 141	NCB31CK-104X	C CAPACITOR		
	C 143	NCB31CK-104X	C CAPACITOR		
	C 144	NCB31CK-104X	C CAPACITOR		
	C 145	NCB31CK-103X	C CAPACITOR		
	C 151	NEA70JM-226X	E CAPACITOR		
	C 152	NEX50JM-156X	E.CAPA.C.M		
	C 159	NCB31CK-104X	C CAPACITOR		
	C 160	NCB31CK-104X	C CAPACITOR		
	C 161	NEA70GM-336X	E CAPACITOR		
	C 170	NEA70JM-336X	E CAPACITOR		
	C 171	NEX50JM-336X	E CAPACITOR		
	C 251	NCB31CK-104X	C CAPACITOR		
	C 252	NEA71CM-226X	E.CAPAP. C.M		
	C 253	NCB31CK-104X	C CAPACITOR		
	C 254	NEA70JM-226X	E CAPACITOR		
	C 255	NCB31HK-223X	C CAPACITOR		
	C 256	NCB31CK-104X	C CAPACITOR		
	C 257	NCB31CK-103X	C CAPACITOR		
	C 258	NCB31CK-103X	C CAPACITOR		
	C 259	NCB31CK-103X	C CAPACITOR		
	C 260	NCB31CK-104X	C CAPACITOR		
	C 261	NCB31CK-104X	C CAPACITOR		
	C 262	NCB31CK-104X	C CAPACITOR		
	C 263	NCB31CK-104X	C CAPACITOR		
	C 264	NCB31CK-103X	C CAPACITOR		
	C 271	NEA70JM-226X	E CAPACITOR		
	C 273	NCB31CK-104X	C CAPACITOR		
	C 274	NCB31CK-104X	C CAPACITOR		
	C 275	NCB31HK-271X	C CAPACITOR		
	C 277	NCB31HK-102X	C CAPACITOR		
	C 278	NCB31HK-272X	C CAPACITOR		
	C 280	NEA71CM-476X	E CAPACITOR		
	C 281	NCB31HK-223X	C CAPACITOR		
	C 282	NCB31CK-103X	C CAPACITOR		
	C 287	NCB31CK-104X	C CAPACITOR		
	CN101	QGF1012F1-30X	FPC CONNECTOR	PU	
	CN110	QGF0522F1-40W	FFC/FPC CONNECTOR	ADSC/MCOM	
	CN201	QGF1016F2-11W	CONNECTOR C.M	SPM	
	IC101	AN8702FH	IC		
	IC102	MM3023DN-X	IC		
	IC251	BA6664FM-X	LSI		
	IC271	BA5983FM-X	IC		

△	Item	Parts number	Parts name	Remarks	Area
	K 101	NQR0007-002X	FERRITE BEADS		
	K 102	NQR0007-002X	FERRITE BEADS		
	K 103	NQR0007-002X	FERRITE BEADS		
	K 104	NQR0007-002X	FERRITE BEADS		
	K 105	NQR0007-002X	FERRITE BEADS		
	K 106	NQR0007-002X	FERRITE BEADS		
	K 107	NQR0007-002X	FERRITE BEADS		
	K 108	NQR0007-002X	FERRITE BEADS		
	L 101	NQL044K-100X	INDUCTOR		
	Q 101	KTA1001/Y/-X	TRANSISTOR		
	Q 102	KTA1001/Y/-X	TRANSISTOR		
	R 101	NRSA63J-103X	MG RESISTOR		
	R 102	NRSA63J-333X	MG RESISTOR		
	R 103	NRSA63J-333X	MG RESISTOR		
	R 104	NRS125J-270X	MG RESISTOR		
	R 105	NRS125J-270X	MG RESISTOR		
	R 106	NRSA63J-2R2X	MG RESISTOR		
	R 107	NRSA63J-2R2X	MG RESISTOR		
	R 109	NRSA63J-910X	MG RESISTOR		
	R 110	NRSA63J-273X	MG RESISTOR		
	R 111	NRSA63J-391X	MG RESISTOR		
	R 112	NRSA63J-273X	MG RESISTOR		
	R 115	NRVA63D-243X	RES. C.M		
	R 116	NRSA63J-393X	MG RESISTOR		
	R 117	NRSA63J-123X	MG RESISTOR		
	R 118	NRSA63J-223X	MG RESISTOR		
	R 127	NRSA63J-222X	MG RESISTOR		
	R 128	NRSA63J-105X	MG RESISTOR		
	R 129	NRSA63J-105X	MG RESISTOR		
	R 131	NRSA63J-822X	MG RESISTOR		
	R 132	NRSA63J-103X	MG RESISTOR		
	R 152	NRS125J-1R0X	MG RESISTOR		
	R 153	NRS125J-4R7X	MG RESISTOR		
	R 155	NRSA63J-182X	MG RESISTOR		
	R 251	NRS125J-R47X	MG RESISTOR		
	R 252	NRSA63J-2R2X	MG RESISTOR		
	R 253	NRSA63J-0R0X	MG RESISTOR		
	R 254	NRSA63J-203X	MG RESISTOR		
	R 256	NRSA63J-470X	MG RESISTOR		
	R 257	NRS125J-1R0X	MG RESISTOR		
	R 258	NRSA63J-0R0X	MG RESISTOR		
	R 259	NRSA63J-103X	MG RESISTOR		
	R 271	NRSA63J-470X	MG RESISTOR		
	R 272	NRS125J-1R0X	MG RESISTOR		
	R 274	NRSA63J-103X	MG RESISTOR		
	R 275	NRSA63J-103X	MG RESISTOR		
	R 276	NRSA63J-123X	MG RESISTOR		
	R 277	NRSA63J-123X	MG RESISTOR		
	R 283	NRSA63J-103X	MG RESISTOR		
	R 284	NRSA63J-103X	MG RESISTOR		
	R 288	NRSA63J-0R0X	MG RESISTOR		
	R 289	NRSA63J-752X	MG RESISTOR		
	R 290	NRSA63J-752X	MG RESISTOR		
	R 291	NRSA63J-682X	MG RESISTOR		
	S 101	QSW0620-001	SWITCH	REST SW	

■ Electrical parts list (Audio board)

Block No. 07

△	Item	Parts number	Parts name	Remarks	Area
	BK781	E409182-001SM	GRAND TERMINAL		
	C1201	QFLC1HJ-222Z	M CAPACITOR	2200PF 5% 50V	
	C1202	QFLC1HJ-222Z	M CAPACITOR	2200PF 5% 50V	
	C1203	QTE1E28-476Z	E CAPACITOR		
	C1204	QTE1E28-476Z	E CAPACITOR		
	C1205	QTE1C28-227Z	E CAPACITOR		
	C1206	QTE1C28-227Z	E CAPACITOR		
	C1207	QTE1C28-227Z	E CAPACITOR		
	C1208	QTE1C28-227Z	E CAPACITOR		
	C1209	QFLC1HJ-123Z	M CAPACITOR	.012MF 5% 50V	
	C1210	QFLC1HJ-123Z	M CAPACITOR	.012MF 5% 50V	
	C1211	QFLC1HJ-102Z	M CAPACITOR	1000PF 5% 50V	
	C1212	QFLC1HJ-102Z	M CAPACITOR	1000PF 5% 50V	
	C1213	QFLC1HJ-472Z	M CAPACITOR	4700PF 5% 50V	
	C1214	QFLC1HJ-472Z	M CAPACITOR	4700PF 5% 50V	
	C1215	QFLC1HJ-121Z	M CAPACITOR	120PF 5% 50V	
	C1216	QFLC1HJ-121Z	M CAPACITOR	120PF 5% 50V	
	C1217	QFLC1HJ-122Z	M.CAPA. I.M	1200PF 5% 50V	
	C1218	QFLC1HJ-122Z	M.CAPA. I.M	1200PF 5% 50V	
	C1219	QTE1A28-477Z	E CAPACITOR		
	C1220	QTE1A28-477Z	E CAPACITOR		
	C1221	QCZ0202-155Z	ML C CAPA I/M	1.5MF	
	C1222	QCZ0202-155Z	ML C CAPA I/M	1.5MF	
	C1223	QCZ0202-155Z	ML C CAPA I/M	1.5MF	
	C1224	QCZ0202-155Z	ML C CAPA I/M	1.5MF	
	C1225	QFLC1HJ-103Z	M CAPACITOR	.010MF 5% 50V	
	C1226	QFVJ1HJ-224Z	MF CAPACITOR	.22MF 5% 50V	
	C1227	QTE1A28-477Z	E CAPACITOR		
	C1228	NCB31HK-152X	C CAPACITOR		
	C1235	NCS31HJ-102X	C CAPACITOR		
	C1236	NCS31HJ-102X	C CAPACITOR		
	C1237	QCZ0202-155Z	ML C CAPA I/M	1.5MF	
	C1238	QCZ0202-155Z	ML C CAPA I/M	1.5MF	
	C1301	QFLC1HJ-222Z	M CAPACITOR	2200PF 5% 50V	
	C1302	QFLC1HJ-222Z	M CAPACITOR	2200PF 5% 50V	
	C1303	QTE1E28-476Z	E CAPACITOR		
	C1304	QTE1E28-476Z	E CAPACITOR		
	C1305	QTE1C28-227Z	E CAPACITOR		
	C1306	QTE1C28-227Z	E CAPACITOR		
	C1307	QTE1C28-227Z	E CAPACITOR		
	C1308	QTE1C28-227Z	E CAPACITOR		
	C1309	QFLC1HJ-123Z	M CAPACITOR	.012MF 5% 50V	
	C1310	QFLC1HJ-123Z	M CAPACITOR	.012MF 5% 50V	
	C1311	QFLC1HJ-102Z	M CAPACITOR	1000PF 5% 50V	
	C1312	QFLC1HJ-102Z	M CAPACITOR	1000PF 5% 50V	
	C1313	QFLC1HJ-472Z	M CAPACITOR	4700PF 5% 50V	
	C1314	QFLC1HJ-472Z	M CAPACITOR	4700PF 5% 50V	
	C1315	QFLC1HJ-121Z	M CAPACITOR	120PF 5% 50V	
	C1316	QFLC1HJ-121Z	M CAPACITOR	120PF 5% 50V	
	C1317	QFLC1HJ-122Z	M.CAPA. I.M	1200PF 5% 50V	
	C1318	QFLC1HJ-122Z	M.CAPA. I.M	1200PF 5% 50V	
	C1319	QTE1A28-477Z	E CAPACITOR		
	C1320	QTE1A28-477Z	E CAPACITOR		
	C1321	QCZ0202-155Z	ML C CAPA I/M	1.5MF	
	C1322	QCZ0202-155Z	ML C CAPA I/M	1.5MF	
	C1323	QCZ0202-155Z	ML C CAPA I/M	1.5MF	
	C1324	QCZ0202-155Z	ML C CAPA I/M	1.5MF	
	C1325	QFLC1HJ-103Z	M CAPACITOR	.010MF 5% 50V	
	C1326	QFVJ1HJ-224Z	MF CAPACITOR	.22MF 5% 50V	
	C1327	QTE1A28-477Z	E CAPACITOR		
	C1328	NCB31HK-152X	C CAPACITOR		
	C1335	NCS31HJ-102X	C CAPACITOR		
	C1336	NCS31HJ-102X	C CAPACITOR		
	C1337	QCZ0202-155Z	ML C CAPA I/M	1.5MF	
	C1338	QCZ0202-155Z	ML C CAPA I/M	1.5MF	
	CN761	QGB2510K1-16	CONNECTOR		

△	Item	Parts number	Parts name	Remarks	Area
	CN762	QGB2510K2-07	CONNECTOR		
	CN763	QGB2510J1-07	CONNECTOR		
	CN764	QGB2510K1-04	CONNECTOR		
	IC761	NJM4580L	IC		
	IC762	NJM4580L	IC		
	IC763	MN35505-X	IC C M		
	IC771	NJM4580L	IC		
	IC772	NJM4580L	IC		
	IC773	MN35505-X	IC C M		
	J 761	QNN0465-001	4PIN JACK ASSY		
	K1201	NQR0227-004X	FERRITE BEADS		
	K1202	NQR0227-004X	FERRITE BEADS		
	K1203	NQR0227-004X	FERRITE BEADS		
	K1204	NQR0227-004X	FERRITE BEADS		
	K1301	NQR0227-004X	FERRITE BEADS		
	K1302	NQR0227-004X	FERRITE BEADS		
	K1303	NQR0227-004X	FERRITE BEADS		
	K1304	NQR0227-004X	FERRITE BEADS		
	Q1201	2SD1302/ST/-T	TRANSISTOR		
	Q1202	2SD1302/ST/-T	TRANSISTOR		
	Q1301	2SD1302/ST/-T	TRANSISTOR		
	Q1302	2SD1302/ST/-T	TRANSISTOR		
	R1201	NRSA63J-101X	MG RESISTOR		
	R1202	NRSA63J-101X	MG RESISTOR		
	R1203	NRSA63J-103X	MG RESISTOR		
	R1204	NRSA63J-103X	MG RESISTOR		
	R1205	NRSA63J-561X	MG RESISTOR		
	R1206	NRSA63J-561X	MG RESISTOR		
	R1207	NRSA63J-273X	MG RESISTOR		
	R1208	NRSA63J-273X	MG RESISTOR		
	R1209	NRSA63J-183X	MG RESISTOR		
	R1210	NRSA63J-183X	MG RESISTOR		
	R1211	NRSA63J-102X	MG RESISTOR		
	R1212	NRSA63J-102X	MG RESISTOR		
	R1213	NRSA63J-221X	MG RESISTOR		
	R1214	NRSA63J-221X	MG RESISTOR		
	R1215	NRSA63J-221X	MG RESISTOR		
	R1216	NRSA63J-221X	MG RESISTOR		
	R1217	QRA14CF-7500Y	MF.RES IM	75 1/4W	
	R1218	QRA14CF-7500Y	MF.RES IM	75 1/4W	
	R1219	QRA14CF-7500Y	MF.RES IM	75 1/4W	
	R1220	QRA14CF-7500Y	MF.RES IM	75 1/4W	
	R1221	NRSA63J-362X	MG RESISTOR		
	R1222	NRSA63J-362X	MG RESISTOR		
	R1223	NRSA63J-272X	MG RESISTOR		
	R1224	NRSA63J-272X	MG RESISTOR		
	R1225	NRSA63J-272X	MG RESISTOR		
	R1226	NRSA63J-272X	MG RESISTOR		
	R1227	QRA14CF-3602Y	MF.RES IM	36 1/4W	
	R1228	QRA14CF-3602Y	MF.RES IM	36 1/4W	
	R1229	QRA14CF-1601Y	MF.RES IM	16 1/4W	
	R1230	QRA14CF-1601Y	MF.RES IM	16 1/4W	
	R1231	QRA14CF-1802Y	M.F.RESISTOR	18 1/4W	
	R1232	QRA14CF-1802Y	M.F.RESISTOR	18 1/4W	
	R1233	QRA14CF-1802Y	M.F.RESISTOR	18 1/4W	
	R1234	QRA14CF-1802Y	M.F.RESISTOR	18 1/4W	
	R1235	NRSA63J-303X	MG RESISTOR		
	R1236	NRSA63J-303X	MG RESISTOR		
	R1237	NRSA63J-303X	MG RESISTOR		
	R1238	NRSA63J-303X	MG RESISTOR		
	R1239	NRSA63J-100X	MG RESISTOR		
	R1240	NRSA63J-100X	MG RESISTOR		
	R1241	NRSA63J-680X	MG RESISTOR		
	R1242	NRSA63J-680X	MG RESISTOR		
	R1244	NRSA63J-471X	MG RESISTOR		
	R1245	NRSA63J-471X	MG RESISTOR		

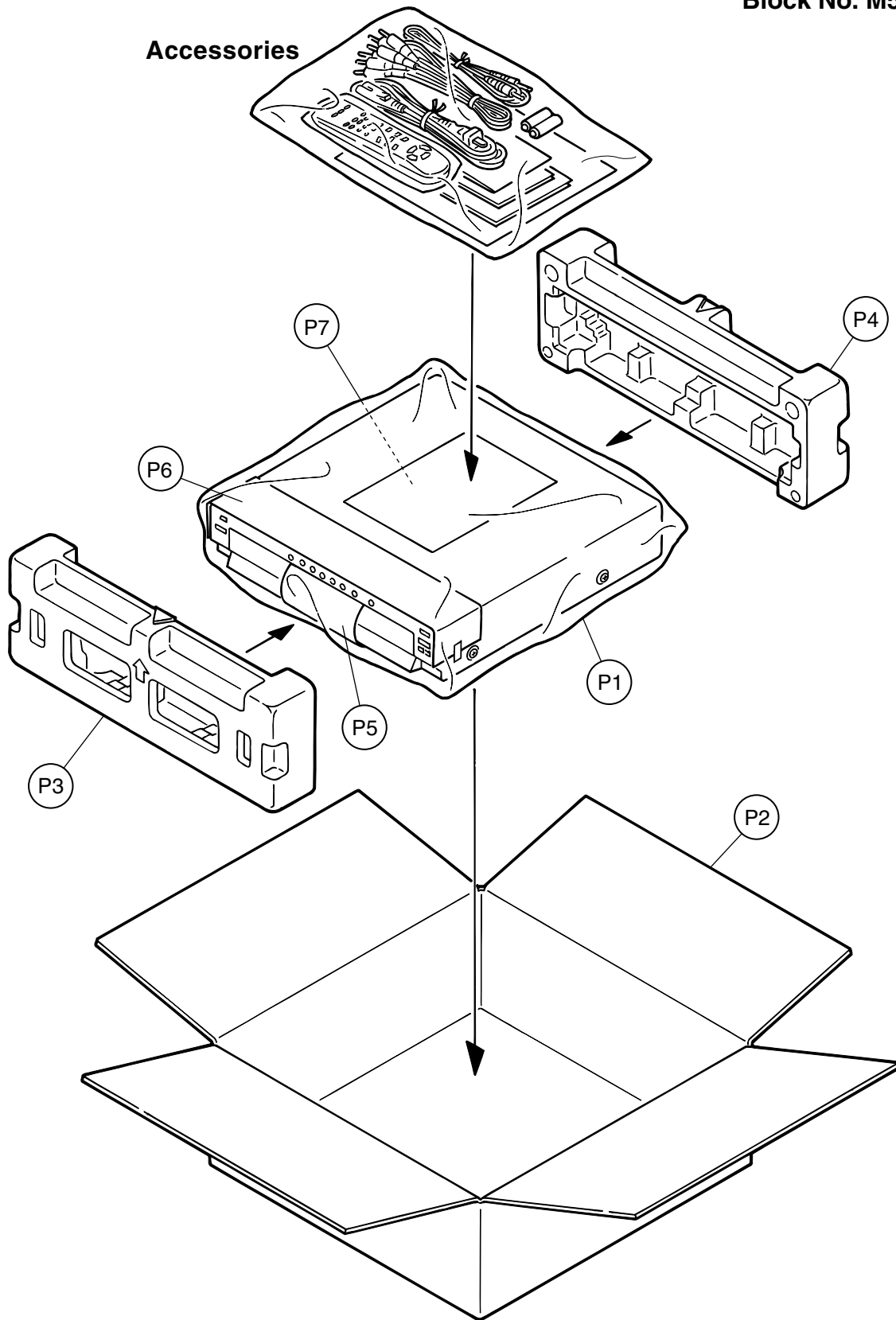
■ Electrical parts list (Audio board)

Block No. 07

△	Item	Parts number	Parts name	Remarks	Area
	R1246	NRSA63J-471X	MG RESISTOR		
	R1247	NRSA63J-471X	MG RESISTOR		
	R1248	NRSA63J-471X	MG RESISTOR		
	R1249	NRSA63J-471X	MG RESISTOR		
	R1250	NRSA63J-332X	MG RESISTOR		
	R1251	NRSA63J-473X	MG RESISTOR		
	R1301	NRSA63J-101X	MG RESISTOR		
	R1302	NRSA63J-101X	MG RESISTOR		
	R1303	NRSA63J-103X	MG RESISTOR		
	R1304	NRSA63J-103X	MG RESISTOR		
	R1305	NRSA63J-561X	MG RESISTOR		
	R1306	NRSA63J-561X	MG RESISTOR		
	R1307	NRSA63J-273X	MG RESISTOR		
	R1308	NRSA63J-273X	MG RESISTOR		
	R1309	NRSA63J-183X	MG RESISTOR		
	R1310	NRSA63J-183X	MG RESISTOR		
	R1311	NRSA63J-102X	MG RESISTOR		
	R1312	NRSA63J-102X	MG RESISTOR		
	R1313	NRSA63J-221X	MG RESISTOR		
	R1314	NRSA63J-221X	MG RESISTOR		
	R1315	NRSA63J-221X	MG RESISTOR		
	R1316	NRSA63J-221X	MG RESISTOR		
	R1317	QRA14CF-7500Y	MF.RES IM	75 1/4W	
	R1318	QRA14CF-7500Y	MF.RES IM	75 1/4W	
	R1319	QRA14CF-7500Y	MF.RES IM	75 1/4W	
	R1320	QRA14CF-7500Y	MF.RES IM	75 1/4W	
	R1321	NRSA63J-362X	MG RESISTOR		
	R1322	NRSA63J-362X	MG RESISTOR		
	R1323	NRSA63J-272X	MG RESISTOR		
	R1324	NRSA63J-272X	MG RESISTOR		
	R1325	NRSA63J-272X	MG RESISTOR		
	R1326	NRSA63J-272X	MG RESISTOR		
	R1327	QRA14CF-3602Y	MF.RES IM	36 1/4W	
	R1328	QRA14CF-3602Y	MF.RES IM	36 1/4W	
	R1329	QRA14CF-1601Y	MF.RES IM	16 1/4W	
	R1330	QRA14CF-1601Y	MF.RES IM	16 1/4W	
	R1331	QRA14CF-1802Y	M.F.RESISTOR	18 1/4W	
	R1332	QRA14CF-1802Y	M.F.RESISTOR	18 1/4W	
	R1333	QRA14CF-1802Y	M.F.RESISTOR	18 1/4W	
	R1334	QRA14CF-1802Y	M.F.RESISTOR	18 1/4W	
	R1335	NRSA63J-303X	MG RESISTOR		
	R1336	NRSA63J-303X	MG RESISTOR		
	R1337	NRSA63J-303X	MG RESISTOR		
	R1338	NRSA63J-303X	MG RESISTOR		
	R1339	NRSA63J-100X	MG RESISTOR		
	R1340	NRSA63J-100X	MG RESISTOR		
	R1341	NRSA63J-680X	MG RESISTOR		
	R1342	NRSA63J-680X	MG RESISTOR		
	R1344	NRSA63J-471X	MG RESISTOR		
	R1345	NRSA63J-471X	MG RESISTOR		
	R1346	NRSA63J-471X	MG RESISTOR		
	R1347	NRSA63J-471X	MG RESISTOR		
	R1348	NRSA63J-471X	MG RESISTOR		
	R1349	NRSA63J-471X	MG RESISTOR		
	R1350	NRSA63J-332X	MG RESISTOR		
	R1351	NRSA63J-473X	MG RESISTOR		

Packing materials and accessories parts list

Block No. M4MM
Block No. M5MM



■ Packing list

Block No. M4MM

△	Item	Parts number	Parts name	Q'ty	Description	Area
	P 1	QPC06006515P	POLY BAG	1	FOR SET	
	P 2	LE30965-003A	PACKING CASE	1		90C,90J
		LE30965-006A	PACKING CASE	1		92C
		LE30965-012A	PACKING CASE	1		95J
	P 3	LE20603-001A	PACKING PAD(F)	1	FRONT	
	P 4	LE20604-001A	PACKING PAD(R)	1	REAR	
	P 5	E36997-303	PROTECT SHEET	1		
	P 6	E36997-173	PROTECT SHEET	1		
	P 7	LV42740-001A	CAUTION SHEET	1		

■ Accessories list

Block No. M5MM

△	Item	Parts number	Parts name	Q'ty	Description	Area
	A 1	LET0191-002C	INST BOOK	1	C	90C
		LET0191-001C	INST BOOK	1		90J
		LET0191-002C	INST BOOK	1		92C
		LET0191-001C	INST BOOK	1		95J
△	A 2	QMPE200-183-JC	POWER CORD	1	J/C	
	A 3	BT-51028-1	J=REGIST CARD	1	J/C	
	A 4	YU20333	SAFETY INST.	1	J/C	
	A 5	QAM0375-001	COMP.CORD 3P	1	AV CORD J/C	
	A 6	QAM0223-001	PLUG CORD	1	COMPULINK	
	A 7	QAM0328-001	AV CORD 3P	1		
	A 8	EWP302-011W	SIGNAL CORD(JES	2		
	A 9	RM-SXVFA90J	REMOCON UNIT	1	BKJ/C	90C,90J
		RM-SXVFA95J	REMOCON UNIT	1		92C,95J
	A 10	-----	BATTERY	2		
	A 11	QPC02504015P	POLY BAG	1	FOR ACC,INST	
	A 12	BT-52004-2	WARRANTY CARD	1		90C,92C

Explanation of area column

90J =XV-FA90BK ver.J
 90C =XV-FA90BK ver.C
 92C =XV-FA92SL ver.C
 95J =XV-FA95GD ver.J